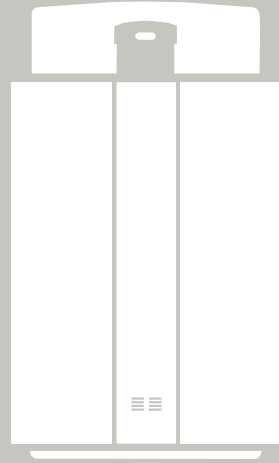


unidrain®









In 2003, the architect Claus Dyre developed a linear floor drain to be placed against the wall, and this was the start of Unidrain. In the course of just a few years, Unidrain has developed into one of the world's leading floor drain producers and has expanded the product portfolio, still focusing on both function and design. Unidrain has received several international design awards and today is represented in more than 30 countries.

## CONTENT

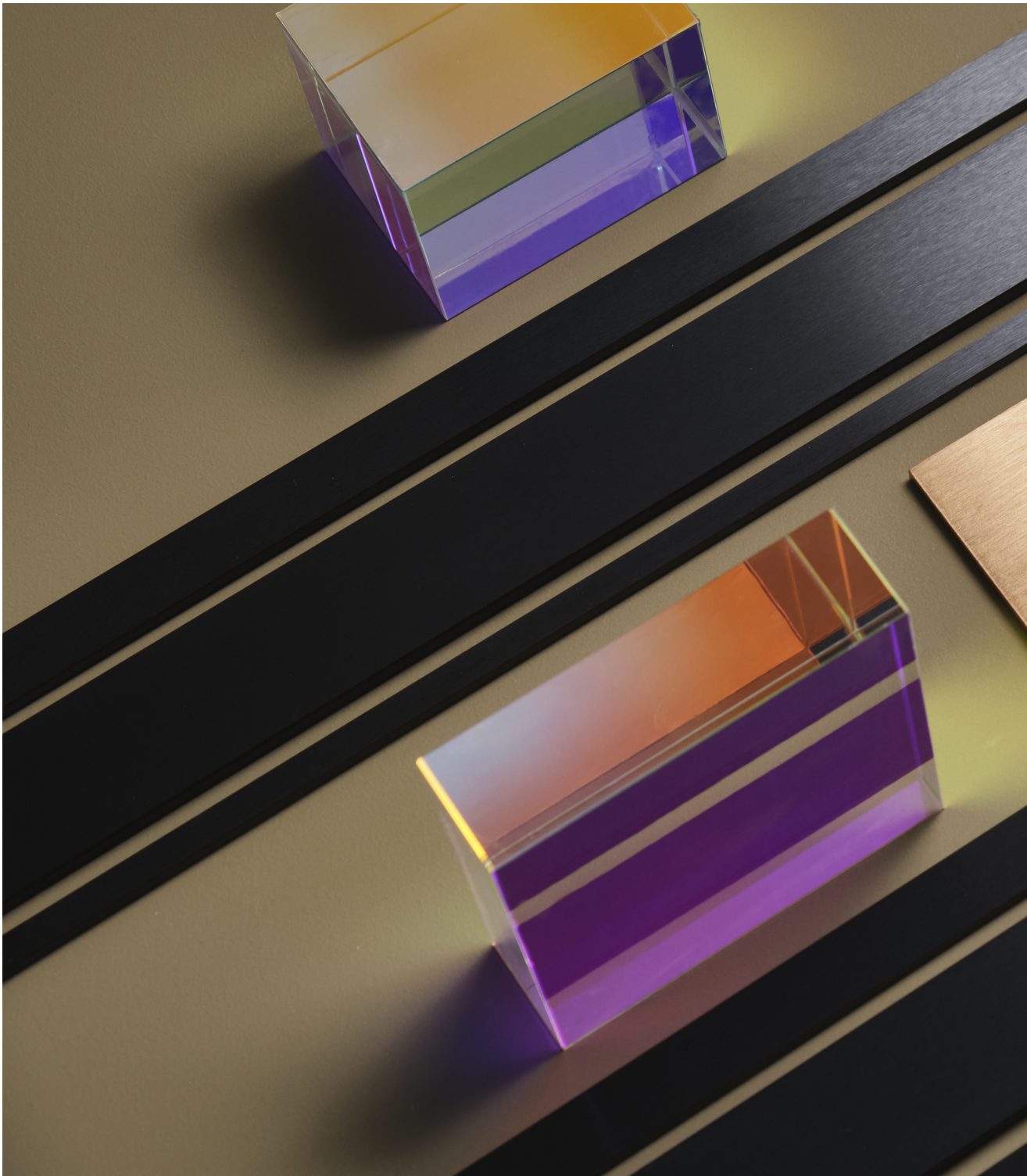
<b>LINE</b>	<b>6</b>
Construction	10
Drain unit	12
Mounting set	17
Outlet units	18
Technical accessories	26
ClassicLine frame	28
ClassicLine grating	31
HighLine frames and panels	33
HighLine Cassette	44
HighLine Custom	46
Bespoke (Module 1100)	48
Vinyl system	52
Soap shelves	54
<b>CORNER</b>	<b>56</b>
Drain unit	58
Mounting set	59
Outlet units	60
Technical accessories	62
ClassicLine grating and frames	64
HighLine panels and frames	65
<b>SQUARE</b>	<b>66</b>
Drain unit bundles	70
ClassicLine gratings	72
Technical accessories	73
<b>SHOWERLINE</b>	<b>74</b>
For customised glass solutions	
Overview	76
ShowerLine	78
<b>GLASSLINE</b>	<b>80</b>
Construction	82
ShowerLine	84
GlassLine shower screen	86
GlassLine top rail	88
GlassLine shower door	89
<b>MATLINE</b>	<b>90</b>
Construction	92
MatLine	94
Technical accessories	96
Outlet units	97
<b>REFRAME COLLECTION</b>	<b>98</b>
Reframe Collection products	102
<b>INSTALLATION HEIGHTS</b>	<b>108</b>







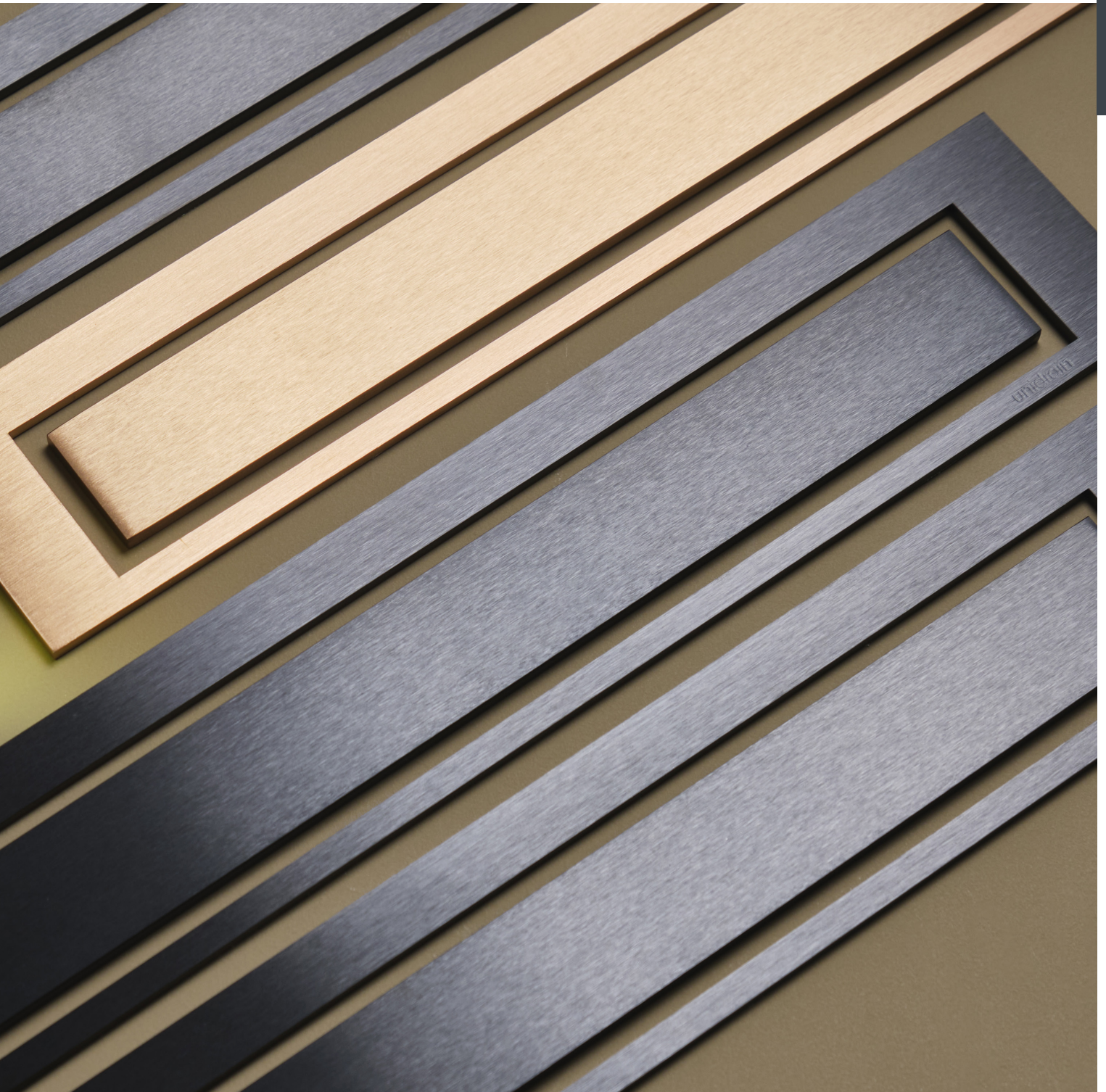




## LINE

HIGHLINE COLOUR IS A DEVELOPMENT OF THE NORMAL HIGHLINE RANGE, TO WHICH WE HAVE ADDED NEW FINISHES AND COLOURS, WITH THE FRAME AND PANEL TREATED TO MAKE IT EASIER TO MATCH METAL FITTINGS IN THE BATHROOM. HIGHLINE COLOUR IS NOW AVAILABLE IN BRUSHED STEEL (HAND-POLISHED STAINLESS STEEL), WHICH PROVIDES A GLOSSY SURFACE LIKE CHROMIUM PLATING, AND BRASS, COPPER AND BLACK, ALL IN PVD-TREATED BRUSHED STAINLESS STEEL.



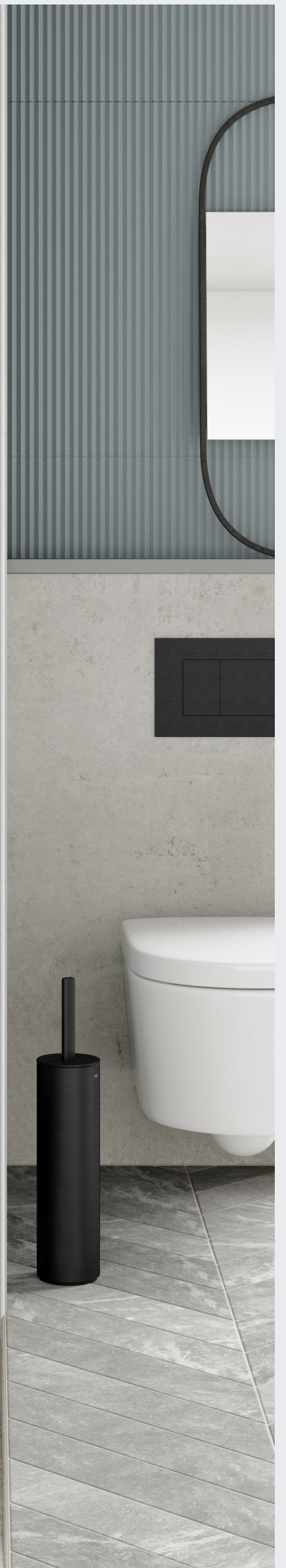


EN 1253  
EN 1253  
(Pan-European standard  
for floor drains)

**nk**  
MK 7.21/1699  
(Materials and design  
approval)

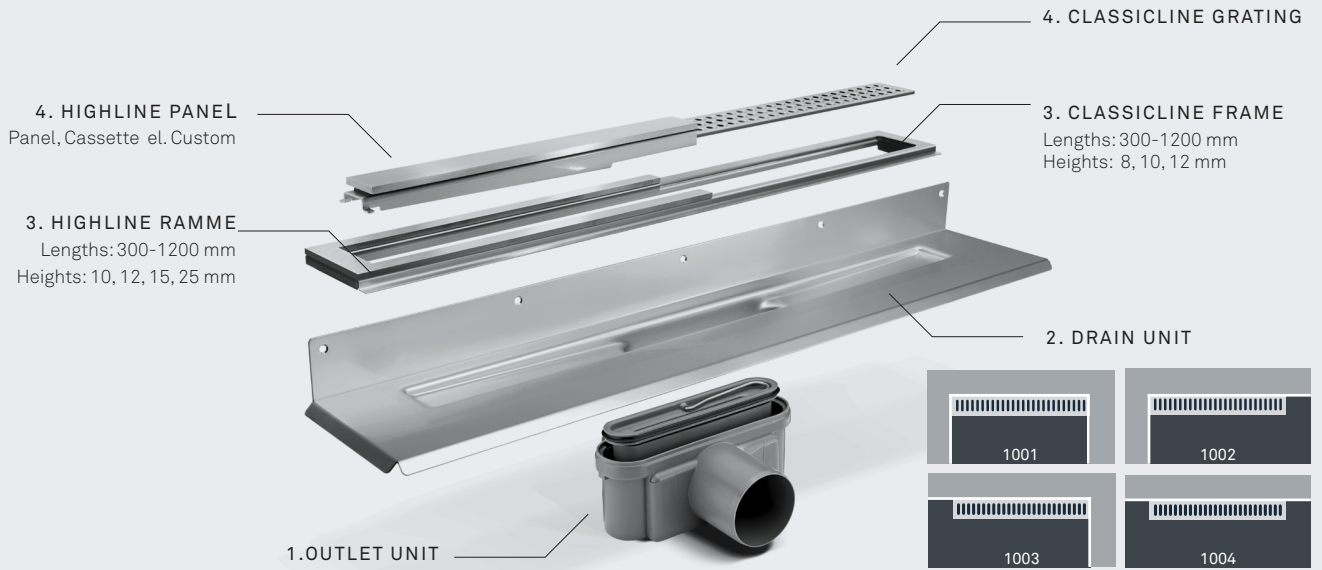
**va**  
VA.2.42/1987 2  
(Technical approval)







# 4 PARTS



## CLASSICLINE GRATING



CLASSIC

COLUMN

INCA

SQUARE

STRIPE

ANNIVERSARIO

## HIGHLINE PANEL



BRUSHED STEEL



BRUSHED BLACK  
PVD-treated surface



BRUSHED BRASS  
PVD-treated surface



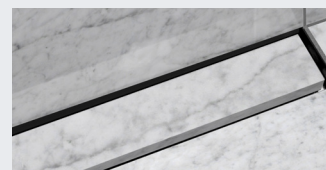
BRUSHED COPPER  
PVD-treated surface



HAND POLISHED STEEL



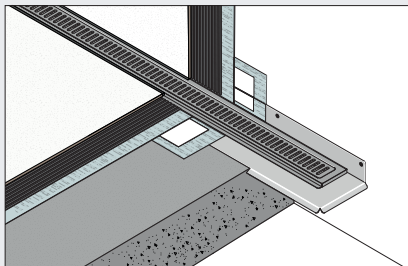
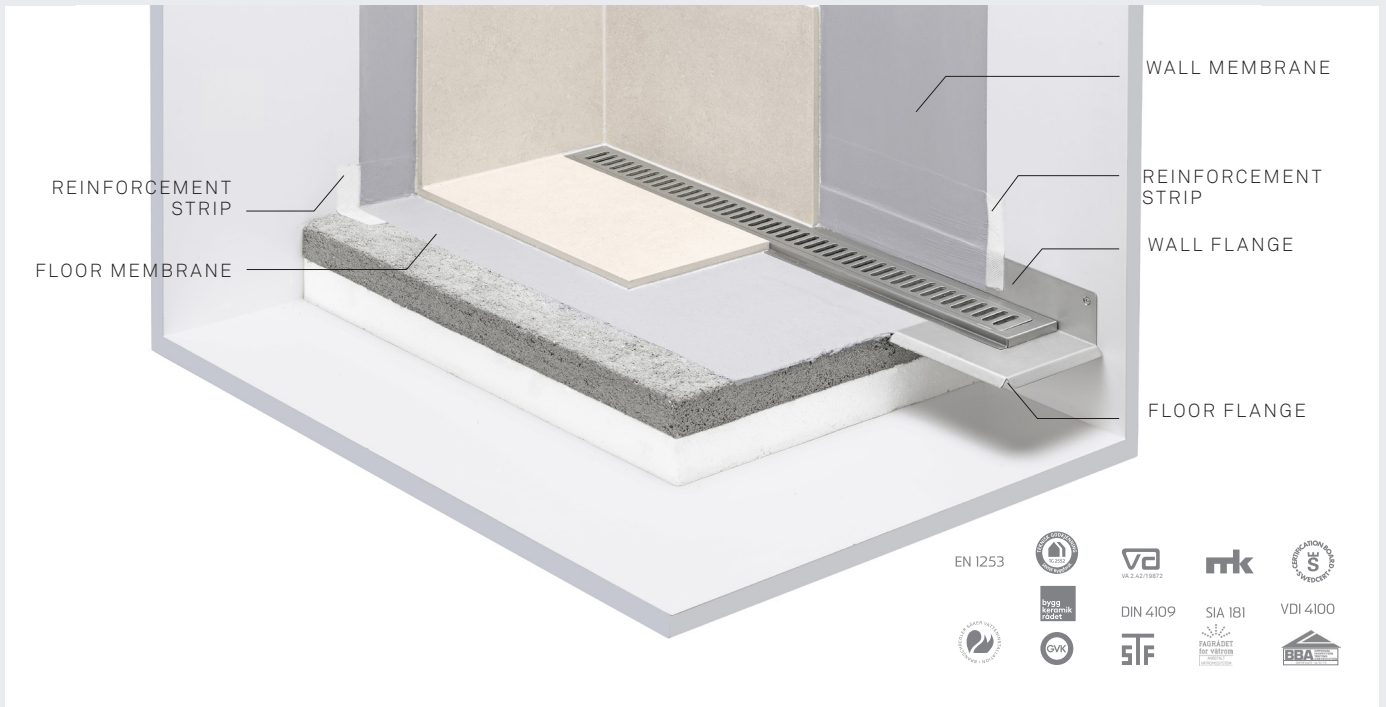
CASSETTE  
with edges on all sides, for use with  
any material fx a tile of own choice.



CUSTOM  
mounted with a floor tile of own choice

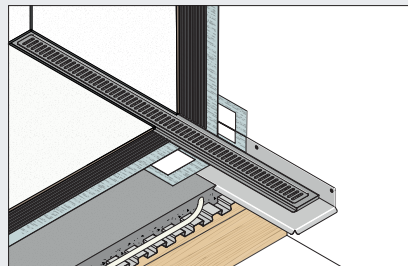
# CONSTRUCTION

UNIDRAIN'S FLOOR DRAINS ARE PLACED AGAINST THE BACK WALL. THE VERTICAL WALL FLANGES ARE ATTACHED TO THE WALL AND, TOGETHER WITH A MEMBRANE, ENSURE A FULLY WATERPROOF INSTALLATION. SIMILARLY, THE HORIZONTAL FLOOR FLANGES ENSURE A WATERPROOF OVERLAP IN THE FLOOR.



## CONCRETE

Concrete cast on a stable insulation layer with levelling in concrete (or other suitable levelling medium). Liquid membrane with sealing/ reinforcement band. Tiling.



## DOVETAIL PLATES

Concrete cast on dovetail plates with levelling in concrete (or other suitable levelling medium). Liquid membrane with sealing/ reinforcement band. Tiling.

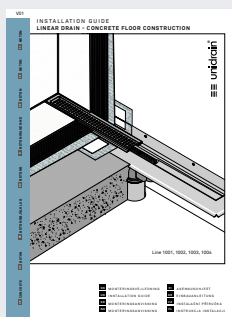
## FOR ALL STRUCTURES

Unidrain is tested and approved for use in all types of floor structure in tiled wetrooms - whether these are heavy concrete structures or light wooden floor joist structures. The Unidrain mounting set (see p. 19) is recommended for use in wooden floor joist structures and other light floor structures.

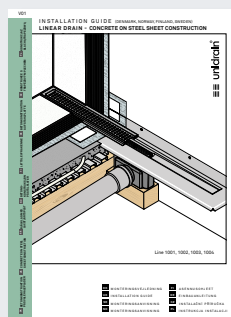
For all structures, the materials and building methods used must be appropriate and approved for wetrooms.

Download full installation guides from [www.unidrain.com](http://www.unidrain.com)

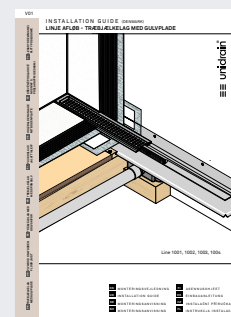
## NEW INSTALLATION GUIDES



Concrete floor construction



Concrete on steel sheet construction



Plywood on wooden floor joist





# SAFE RESULT



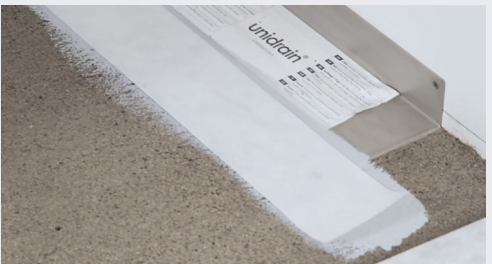
1. SIMPLE AND PRECISE INSTALLATION AND FIXING  
Easy and simple assembly with precise fastening ensures correct position throughout the installation process.



2. FIXING DURING CASTING  
The drain unit is attached to the wall with screws throughout the casting process and is therefore not displaced. After casting, the unit must be fully supported by the concrete layer.



3. EASY TO PERFORM LEVELLING WITH ONE-SIDED SLOPE  
A one-sided slope makes it easy to ensure correct levelling without the risk of backflows and depressions. The base for the tiled surface can be laid on a completely even and level surface.



4. WETROOM PROTECTION OF WALLS AND FLOOR  
The membrane's overlap with the drain unit's floor and wall flanges forms a sealed, wetroom-protected connection to both floor and wall.



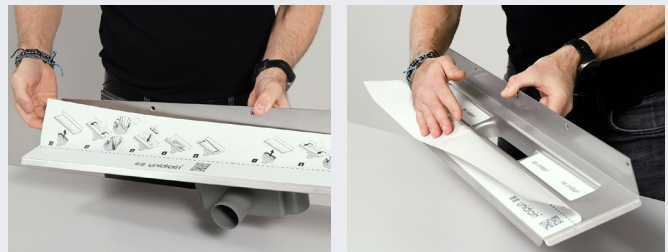
5. IT IS EASY TO LAY TILES ON A COMPLETELY LEVEL SURFACE  
The one-sided slope makes tile-laying even easier - even with very large tiles. There is no need to cut the tiles to fit around the drain. *tilskæring af fliserne omkring afløbet.*

## PROTECTIVE FILM ON ALL LINE DRAINS FROM 1 JUNE 2021

This is the end of concrete debris, mortar and tile shards in the drain. We have developed a new film that protects every aspect of the installation process. After the plumber has inserted the water trap and attached the drain to the wall, he seals it with the film. Then the drain is ready for the builder to take over and cast the floor. Prior to applying the wet room membrane, the builder removes the part of the film where the wet room membrane will be applied. Finally, just before laying the tiles, the last part of the film is removed.

### THE FIRST FIVE INSTALLATION STEPS ARE ILLUSTRATED ON THE FILM

1. Position the outlet unit
2. Check that the gasket is placed correctly
3. Mount the water trap
4. Remove back of the film
5. Seal the film over the drain



Specifications

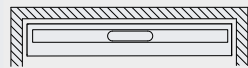
Material: 1.5-mm stainless steel (AISI 304)  
 Surface: Pickled  
 Membrane: Liquid  
 Floor structure: All  
 Flooring: Tiles



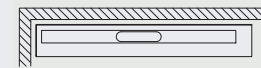
DRAIN UNIT | 1001

DRAIN UNIT | 1002

For shower cubicles with three fixed walls.  
 The drain unit has three wall flanges.

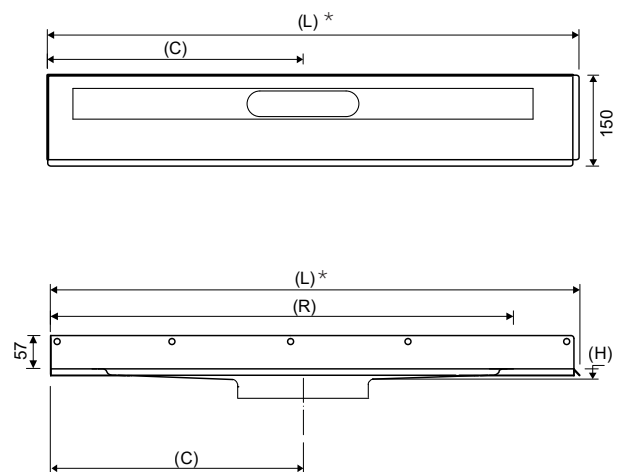
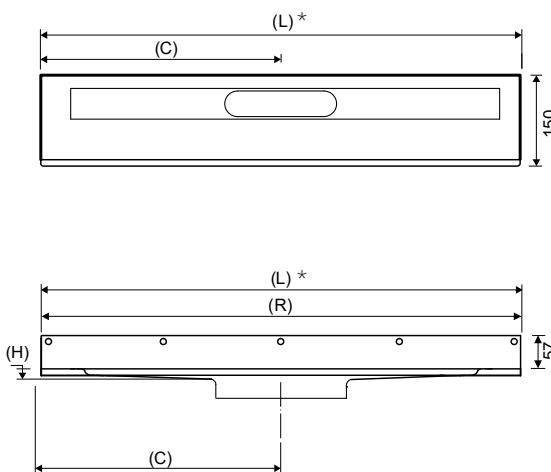


For shower cubicles with open right-hand side,  
 glass screen or similar.  
 The drain unit has two wall flanges.



Wall flange	Back wall/left/right					Back wall/left				
	700*	800*	900*	1000*	1200*	700*	800*	900*	1000*	1200*
Length model	700*	800*	900*	1000*	1200*	700*	800*	900*	1000*	1200*
*Built-in length (L)	702 mm	802 mm	902 mm	1002 mm	1202 mm	757 mm	857 mm	957 mm	1057 mm	1257 mm
Frame (R)	695 mm	795 mm	895 mm	995 mm	1195 mm	695 mm	795 mm	895 mm	995 mm	1195 mm
Centre (C)	351 mm	401 mm	451 mm	501 mm	601 mm	351 mm	401 mm	451 mm	501 mm	601 mm
Height (H)	17 mm	18 mm	19 mm	20 mm	22 mm	17 mm	18 mm	19 mm	20 mm	22 mm
Item no.	1001.0700	1001.0800	1001.0900	1001.1000	1001.1200	1002.0700	1002.0800	1002.0900	1002.1000	1002.1200
EAN no.*:	03030	03047	03054	03061	03078	03085	03092	03108	03115	03122

\*57076920xxxxx



**NB!** Height (H in the table) + height of the selected outlet unit = total build height

**\*Note  
installation  
dimensions!**

**Specifications**

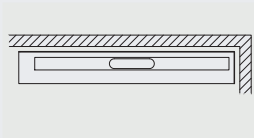
Material: 1.5-mm stainless steel (AISI 304)  
 Surface: Pickled  
 Membrane: Liquid  
 Floor structure: All  
 Flooring: Tiles



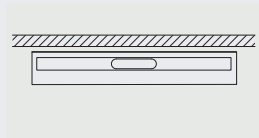
**DRAIN UNIT | 1003**

**DRAIN UNIT | 1004**

For shower cubicles with open left-hand side, glass screen or similar.  
 The drain unit has two wall flanges.



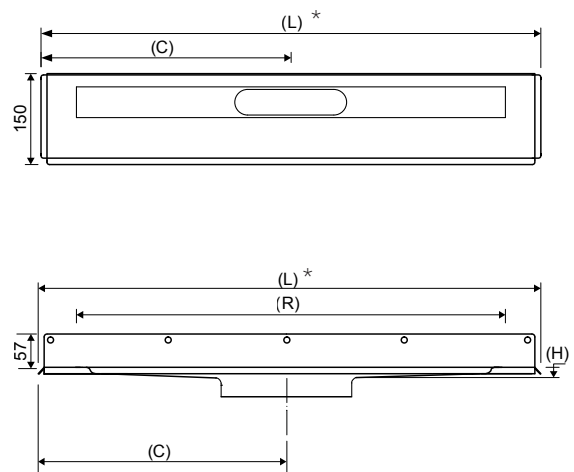
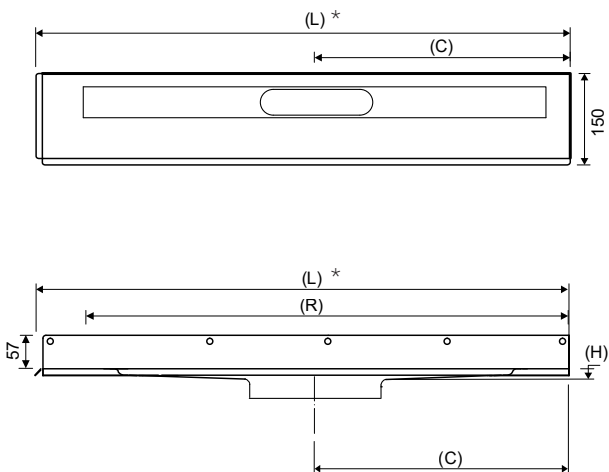
Can be freely positioned against the back wall, independent of any side walls.  
 The drain unit has one wall flange.



Back wall/right				
700*	800*	900*	1000*	1200*
757 mm	857 mm	957 mm	1057 mm	1257 mm
695 mm	795 mm	895 mm	995 mm	1195 mm
351 mm	401 mm	451 mm	501 mm	601 mm
17 mm	18 mm	19 mm	20 mm	22 mm
1003.0700	1003.0800	1003.0900	1003.1000	1003.1200
03139	03146	03153	03160	03177

Back wall						
300*	600*/ **	700*	800*	900*	1000*	1200*
432 mm	712 mm	812 mm	912 mm	1012 mm	1112 mm	1312 mm
315 mm	595 mm	695 mm	795 mm	895 mm	995 mm	1195 mm
216 mm	356 mm	406 mm	456 mm	506 mm	556 mm	656 mm
12 mm	16 mm	17 mm	18 mm	19 mm	20 mm	22 mm
1004.0300	1004.0600	1004.0700	1004.0800	1004.0900	1004.1000	1004.1200
03238	08431	03184	03191	03207	03214	03221

\*\* 600 mm drain unit has visible welded joints.



**NB!** Height (H in the table) + height of the selected outlet unit = total build height

**\*Note  
installation  
dimensions!**

**Specifications**

Material: 1.5-mm stainless steel (AISI 304)  
 Surface: Pickled  
 Membrane: Liquid  
 Floor structure: All  
 Flooring: Tiles



Only for ClassicLine

**DRAIN UNIT | 1004**

With side drain on the right  
 Can be freely positioned against the back wall,  
 independent of any side walls. Only for use with  
 ClassicLine.



Only for ClassicLine

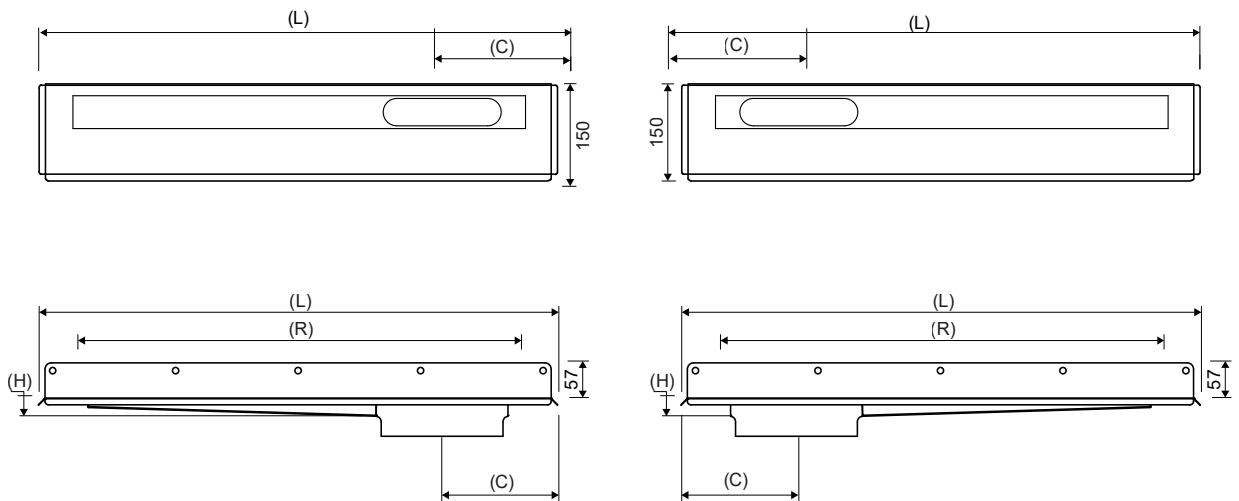
**DRAIN UNIT | 1004**

With side drain on the left  
 Can be freely positioned against the back wall,  
 independent of any side walls. Only for use with  
 ClassicLine.



Wall flange	Back wall					Back wall				
	700*	800*	900*	1000*	1200*	700*	800*	900*	1000*	1200*
Length model	700*	800*	900*	1000*	1200*	700*	800*	900*	1000*	1200*
*Built-in length (L)	812 mm	912 mm	1012 mm	1112 mm	1312 mm	812 mm	912 mm	1012 mm	1112 mm	1312 mm
Frame (R)	695 mm	795 mm	895 mm	995 mm	1195 mm	695 mm	795 mm	895 mm	995 mm	1195 mm
Centre (C)	184 mm	184 mm	184 mm	184 mm	184 mm	184 mm	184 mm	184 mm	184 mm	184 mm
Height (H)	28 mm	28 mm	28 mm	28 mm	28 mm	28 mm	28 mm	28 mm	28 mm	28 mm
Item no.	1004.0705	1004.0805	1004.0905	1004.1005	1004.1205	1004.0706	1004.0806	1004.0906	1004.1006	1004.1206
EAN no.*:	09216	09223	09230	09247	09254	09261	09278	09285	09292	09308

\*57076920xxxxx



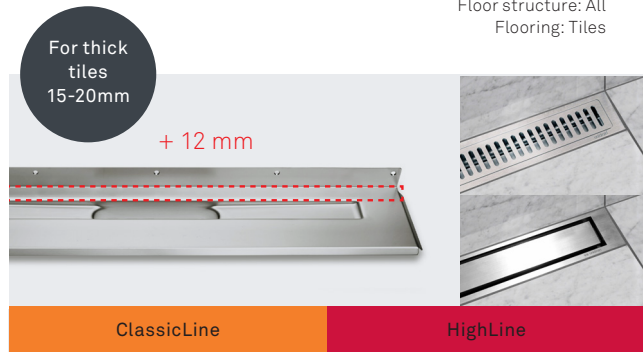
**NB!** Height (H in the table) + height of the selected outlet unit = total build height

Specifications

Material: 1.5-mm stainless steel (AISI 304)  
 Surface: Pickled  
 Membrane: Liquid  
 Floor structure: All  
 Flooring: Tiles



Only for HighLine Custom frameless



ClassicLine

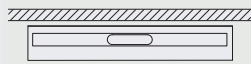
HighLine

DRAIN UNIT | 1004

DRAIN UNIT | 1004

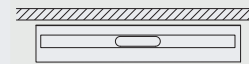
Can be freely positioned against the back wall, independent of any side walls. The rear flange has been moved 6 mm backwards, to fit 6 - 20mm wall tiles + tile mortar + wetroom membrane.

**NB! Only for HighLine Custom frameless.**



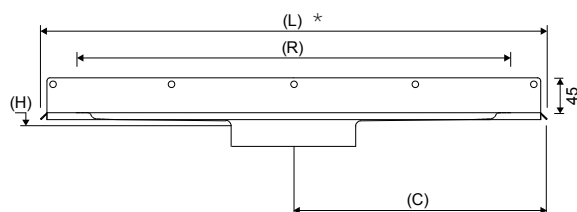
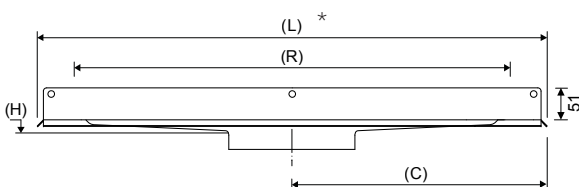
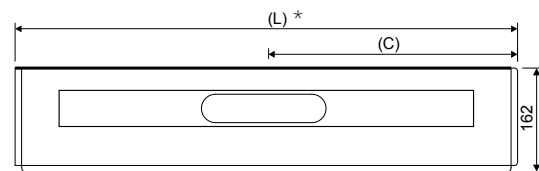
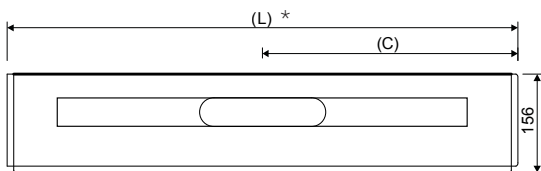
Can be freely positioned against the back wall, independent of any side walls. The rear flange has been moved 12 mm backwards, to fit 15 -20mm wall tiles + tile mortar + wetroom membrane.

**NB! ClassicLine or HighLine frame must be used.**



Back wall					
300*	700*	800*	900*	1000*	1200*
432 mm	812 mm	912 mm	1012 mm	1112 mm	1312 mm
315 mm	695 mm	795 mm	895 mm	995 mm	1195 mm
216 mm	406 mm	456 mm	506 mm	556 mm	656 mm
12 mm	17 mm	18 mm	19 mm	20 mm	22 mm
1004.0301	1004.0701	1004.0801	1004.0901	1004.1001	1004.1201
08493	08387	08394	08400	08417	08424

Back wall					
300*	700*	800*	900*	1000*	1200*
432 mm	812 mm	912 mm	1012 mm	1112 mm	1312 mm
315 mm	695 mm	795 mm	895 mm	995 mm	1195 mm
216 mm	406 mm	456 mm	506 mm	556 mm	656 mm
12 mm	17 mm	18 mm	19 mm	20 mm	22 mm
1004.0303	1004.0703	1004.0803	1004.0903	1004.1003	1004.1203
08509	08516	08523	08530	08547	08554



**NB!** Height (H in the table) + height of the selected outlet unit = total build height

**\*Note  
installation  
dimensions!**

**Specifications**

Material: 1.5-mm stainless steel (AISI 304)  
 Surface: Pickled  
 Membrane: Liquid  
 Floor structure: All  
 Floor covering: Tiles

**Introduction**

Sides without wall flanges must comply with the rules for the minimum distance to the wall. For line units placed against the rear wall see p. 14-17)

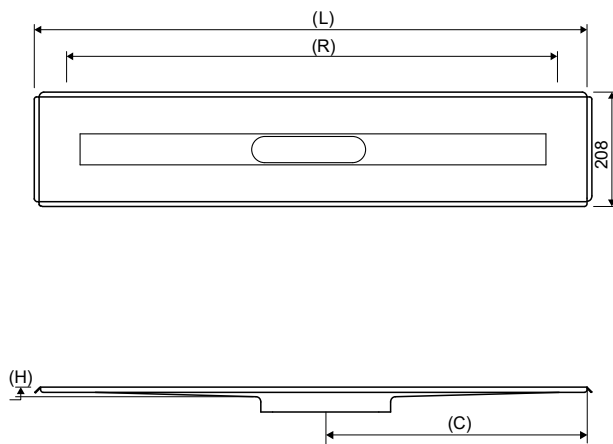


**DRAIN UNIT | 3004**

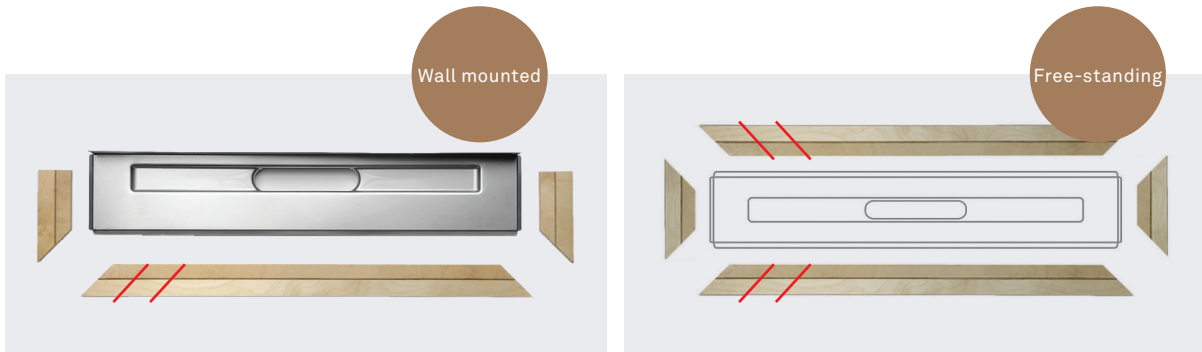
For shower cubicles without fixed walls.  
 The drain unit has four floor flanges.  
 Including four height-adjustable feet (40-190 mm).  
 See frames on pp. 31 + 35

Wall flange	None					
Length model	300*	700*	800*	900*	1000*	1200*
Length (L)	432 mm	812 mm	912 mm	1012 mm	1112 mm	1312 mm
Frame (R)	315 mm	695 mm	795 mm	895 mm	995 mm	1195 mm
Centre (C)	216 mm	406 mm	456 mm	506 mm	556 mm	656 mm
Height (H)	12 mm	17 mm	18 mm	19 mm	20 mm	22 mm
Item no.:	3004.0300	3004.0700	3004.0800	3004.0900	3004.1000	3004.1200
EAN no.:	06123	06130	07076	06147	07083	07090

\*57076920xxxxx



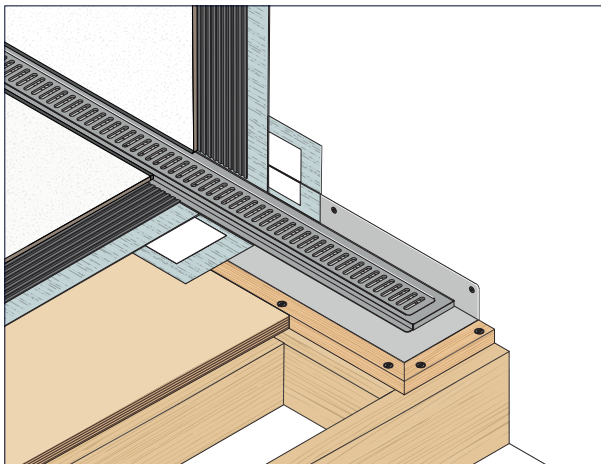
**NB!** Height (H in the table) + height of the selected outlet unit = total build height



MOUNTING SET FOR WOOD 22 MM | 1804 + 3804

The set consists of a front and side profile that are attached to wooden joists using screws. Ensures correct positioning and fixing of the drain unit in wooden floor joist structures. Adjust to the correct length by cutting the front profile.

Line drain   wall		Line drain   free-standing
300-1000 mm	1200 mm	300-900 mm
Stainless steel/wood	Stainless steel/wood	Stainless steel/wood
1001.0300-1000	1001.1200	3002.0700-0900
1002.0300-1000	1002.1200	3004.0300-0900
1003.0300-1000	1003.1200	
1004.0300-0900	1004.1000-1200	
1804.1022	1804.1222	3804.0922
03597	03603	06574



Unidrain with ClassicLine frame/grating and mounting set, 22 mm | wall

- LOWER INSTALLATION HEIGHT
- LOCKING TO DRAIN UNIT



OUTLET UNIT Ø 50 | 1417.0050

OUTLET UNIT Ø 50 | 1418.0050

Ø 50 mm, with removable odour barrier that can easily be cleaned. VA-approved. Can be turned 180°.

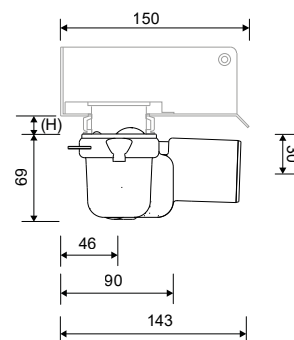
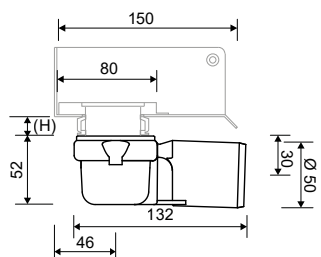
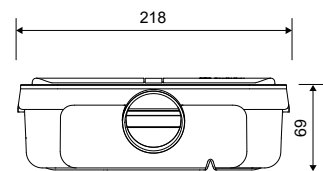
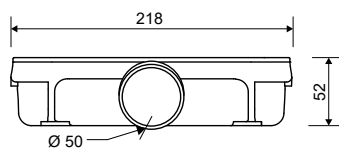
- Should not be used in multi-storey buildings
- The odour barrier can react to over-/under-pressure in the drain system
- Correct venting of the drain system is important, so that the odour barrier works correctly
- The odour barrier opens/closes with the help of a spring
- A rubber seal ensures that the odour barrier is closed when not in use
- There is no water in the odour barrier

Horizontal outlet incl. removable water trap that can be dismantled for cleaning, can be rotated 180 degrees if a rear facing outlet is required. The water trap has a 50 mm water seal. Note: Extra low installation height and VA-approved.

Outlet dimension	Ø 50 mm
Outlet direction	Horizontal
Capacity	0.6 l/s
Water trap/odour barrier	With (odour barrier)
Side inlet	Without
Suitable for use with	Unit 1001-02-03-04, 1100, 3002, 3004, 5002-03, 4004
Item no.	1417.0050
EAN no.*:	07915

Outlet dimension	Ø 50 mm
Outlet direction	Horizontal
Capacity	0,54 l/s
Water trap/odour barrier	With (Water trap)
Side inlet	Without
Suitable for use with	Unit 1001-02-03-04, 1100, 3002, 3004, 5002-03, 4004
Item no.	1418.0050
EAN no.*:	12711

\*57076920xxxxx



**NB!** Total building height = height of outlet unit + height of the drain unit (H) (See measurement specifications for the selected drain unit, p. 14–18).



Specifications

Material: Plastic (PP)



Low installation height



Self-cleaning

OUTLET UNIT Ø 75 | 1312.0075

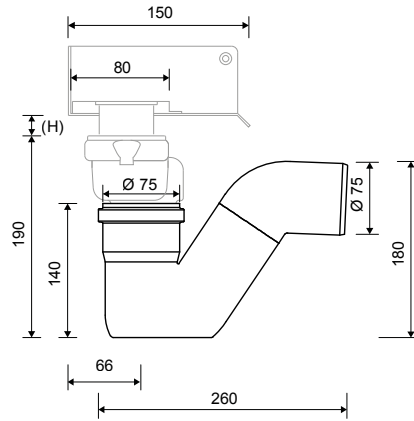
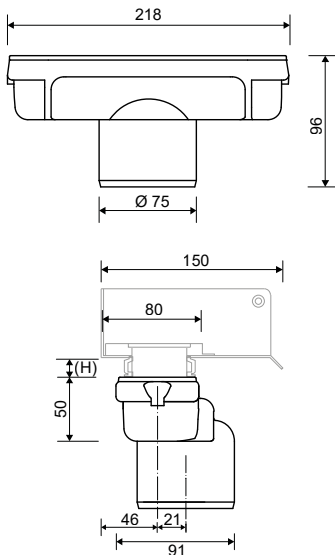
P-TRAP | 1850.0075

Ø 75-mm vertical drain

High self-cleaning effect  
The plastic water trap can be used instead of the removable water trap/odour barrier that comes with some of the outlet units.  
Suitable for shower cubicles in frequent use.

Ø 75 mm	Ø 75 mm	Outlet dimension
Vertical	Horizontal	Outlet direction
2.5 l/s	1,7 l/s	Capacity
Without	-	Water trap/odour barrier
Without	-	Side inlet
Unit 1001-02-03-04, 1100, 3002, 3004, 5002-03, 4004	Outlet unit 1312.0075, 1412.0075, 1414.0075, 2412.0075, 4004	Suitable for use with
1312.0075	1850.0075	Item no.
07939	07946	EAN no.*:

\*57076920xxxxx





Extra low installation height

OUTLET UNIT Ø 50 |  
1312.0050

Ø 50-mm vertical drain  
Excluding odour barrier

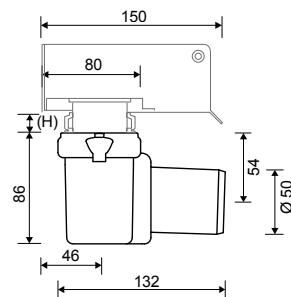
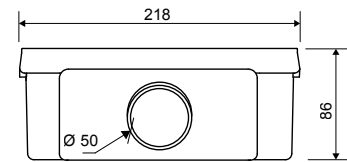
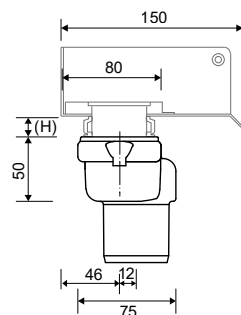
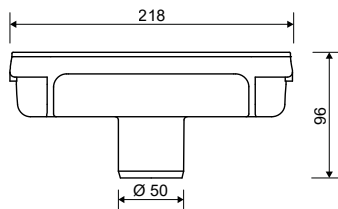


OUTLET UNIT Ø 50  
| 1411.0050

Ø 50-mm horizontal drain.  
Including removable water trap that can be dismantled for cleaning.  
Can be rotated 180° if a rearfacing outlet is required.

Outlet dimension	Ø 50 mm	Ø 50 mm
Outlet direction	Vertical	Horizontal
Capacity	1.7 l/s	0.91 l/s
Water trap/odour barrier	Without	With
Side inlet	Without	Without
Suitable for use with	Unit 1001-02-03-04, 1100, 3002, 3004, 5002-03, 4004	Unit 1001-02-03-04, 1100, 3002, 3004, 5002-03, 4004
Item no.	1312.0050	1411.0050
EAN no.*:	07922	07960

\*57076920xxxxx



**NB!** Total building height = height of outlet unit + height of the drain unit (H)  
(See measurement specifications for the selected drain unit, p. 14–18).

Specifications

Material: Plastic (PP)



OUTLET UNIT Ø 50 |  
1415.0050



Note two outlets  
Cannot be used as an inlet

OUTLET UNIT Ø 50 |  
1416.0050

Ø 50-mm horizontal drain. Including removable water trap that can be dismantled for cleaning. Can be rotated 180° if a right- or left-facing outlet is required.

Ø 50-mm horizontal drain. Including removable water trap that can be dismantled for cleaning. Horizontal outlets is located high to obtain low installation height.  
**Remove the stopper from the selected outlet direction.**

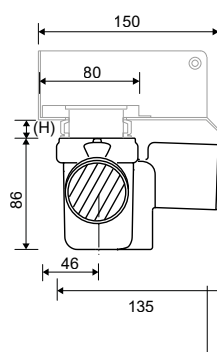
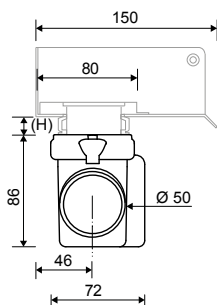
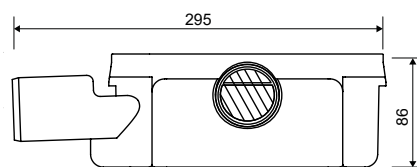
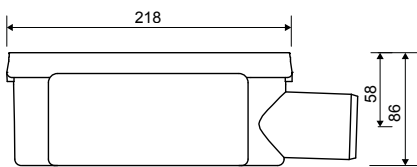
Ø 50 mm	Outlet dimension
Horizontal	Outlet direction
0.8 l/s	Capacity
With	Water trap/odour barrier
Without	Side inlet
Unit 1001-02-03-04, 1100, 3002, 3004, 5002-03, 4004	Suitable for use with
1415.0050	Item no.

Ø 50 mm	Outlet dimension
Horizontal	Outlet direction
0.8 l/s	Capacity
With	Water trap/odour barrier
Without	Side inlet
Unit 1001-02-03-04, 1100, 3002, 3004, 5002-03, 4004	Suitable for use with
1416.0050	Item no.

08288	EAN no.*:
-------	-----------

12520	EAN no.*:
-------	-----------

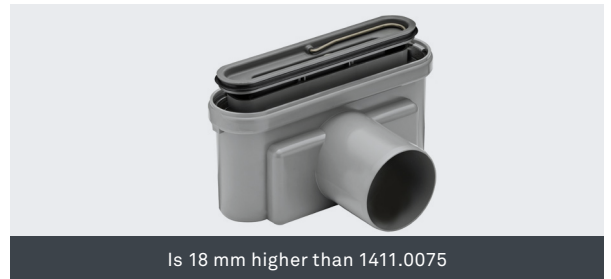
\*57076920xxxxx





OUTLET UNIT Ø 75 | 1411.0075

Horizontal drain, Ø 75 mm  
Including removable water trap that can be dismantled for cleaning.  
Can be rotated 180° if a rearfacing outlet is required.



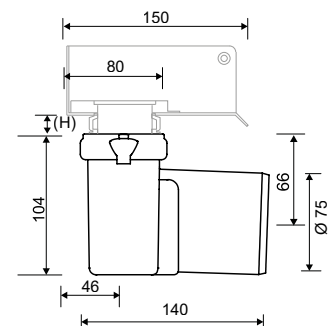
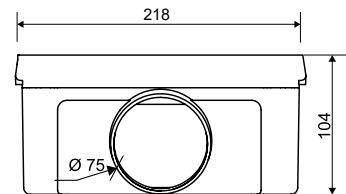
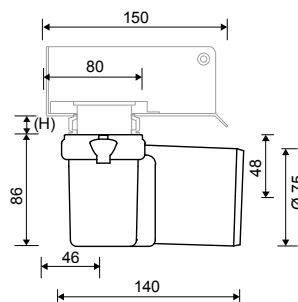
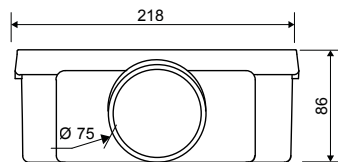
Is 18 mm higher than 1411.0075

OUTLET UNIT Ø 75 | 1421.0075

Horizontal drain, Ø 75 mm  
Including removable water trap that can be dismantled for cleaning.  
Can be rotated 180° if a rearfacing outlet is required. Is 18 mm higher than 1411.0075 and can be used for installation in joist structures.

Outlet dimension	Ø 75 mm	Ø 75 mm
Outlet direction	Horizontal	Horizontal
Capacity	1.0 l/s	1.0 l/s
Water trap/odour barrier	With	With
Side inlet	Without	Without
Suitable for use with	Unit 1001-02-03-04, 1100, 3002, 3004, 5002-03, 4004	Unit 1001-02-03-04, 1100, 3002, 3004, 5002-03
Item no.	1411.0075	1421.0075
EAN no.*:	07977	08370

\*57076920xxxxx



**NB!** Total building height = height of outlet unit + height of the drain unit (H)  
(See measurement specifications for the selected drain unit, p. 14-18).

Specifications

Material: Plastic (PP)



OUTLET UNIT Ø 50 | 1443.0050



OUTLET UNIT Ø 75 | 1443.0075

Horizontal outlet Ø50 mm, including water trap. Two horizontal side inlets, 40 mm, which can be opened as needed. 2 rubber adapters are included so that side inlets can be reduced to 32 mm. Easy access to the removable water trap for cleaning. Meets EN1253 standard and is VA approved.

Horizontal outlet Ø75 mm, including water trap. Two horizontal side inlets, 40 mm, which can be opened as needed. 2 rubber adapters are included so that side inlets can be reduced to 32 mm. Easy access to the removable water trap for cleaning. Meets EN1253 standard and is VA approved.

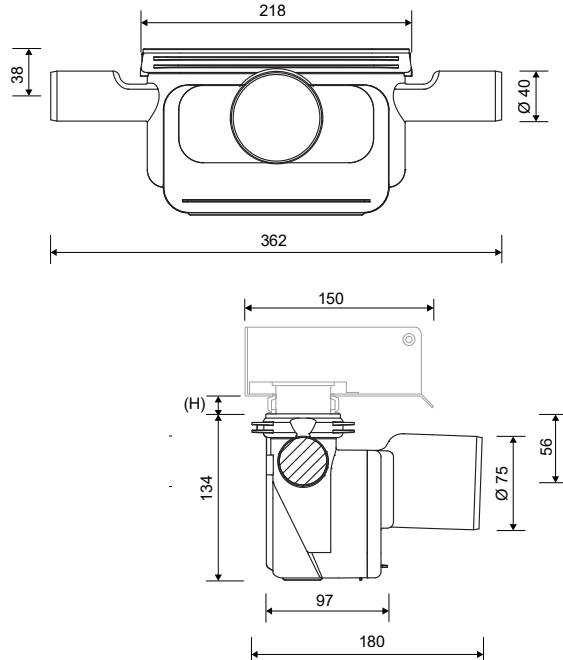
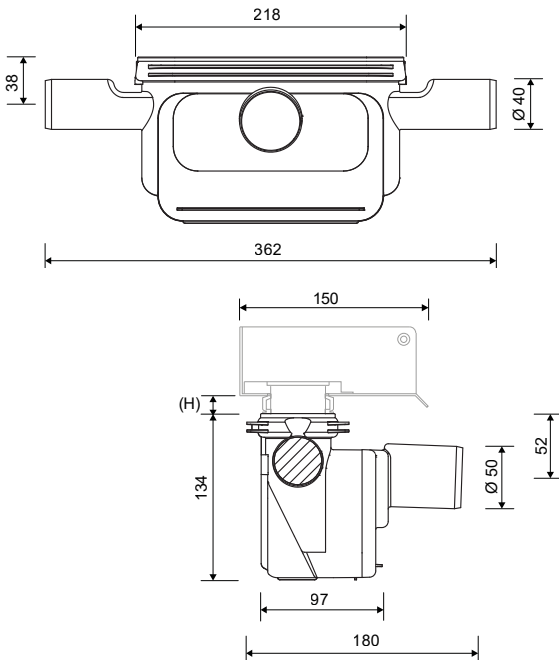
Ø 50 mm	Ø 75 mm	Outlet dimension
Horizontal	Horizontal	Outlet direction
1,4 l/s	1,4 l/s	Capacity
With	With	Water trap/odour barrier
2 x Ø40 mm/32 mm (opened as needed)	2 x Ø40 mm/32 mm (opened as needed)	Side inlet
Unit 1001-02-03-04, 1100, 3002, 3004, 5002-03, 4004	Unit 1001-02-03-04, 1100, 3002, 3004, 5002-03	Suitable for use with
1443.0050	1443.0075	Item no.

13152

13169

EAN no.\*:

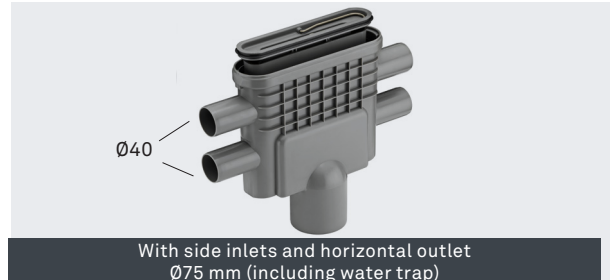
\*57076920xxxxx





OUTLET UNIT Ø 75 | 1412.0075

Ø 75-mm vertical drain  
Including removable water trap that can be dismantled for cleaning.



With side inlets and horizontal outlet  
Ø75 mm (including water trap)

OUTLET UNIT Ø 75 | 1414.0075

The water trap is removable and can be taken apart for cleaning

**Note: The outlet unit can be used in 3 different ways:**

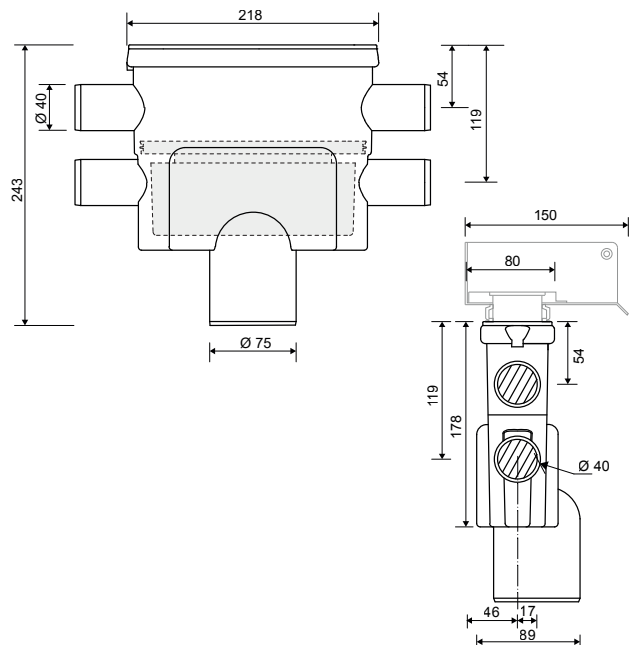
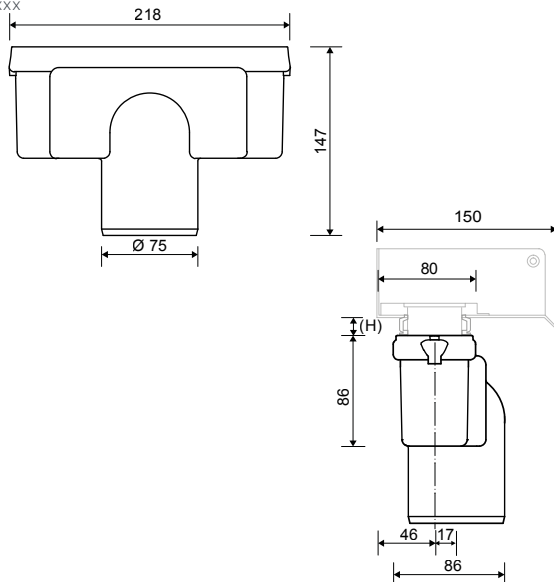
If the water trap is positioned at the top and the top two side spigots are used as inlets from an external unit, then a separate water trap must be installed on the added unit.

If the water trap is pushed down into the outlet unit, the external unit connected to the top side spigots will be covered by the included water trap, so there is no need for an external water trap.

If the bottom two side inlets are used, you must establish an external water trap, regardless of the position of the Unidrain water trap.

Outlet dimension	Ø 75 mm	Ø 75 mm
Outlet direction	Vertical	Vertical
Capacity	1.5 l/s	1.85 l/s
Water trap	With	With
Side inlet	Without	4 x Ø 40 mm (opened as needed)
Suitable for use with	Unit 1001-02-03-04, 1100, 3002, 3004, 5002-03	Unit 1001-02-03-04, 1100, 3002, 3004, 5002-03, 4004
Item no.	1412.0075	1414.0075
EAN no.*:	07984	08004

\*57076920xxxxx



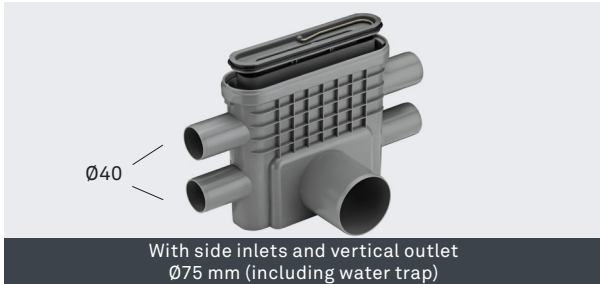
**NB!** Total building height = height of outlet unit + height of the drain unit (H)  
(See measurement specifications for the selected drain unit, p. 14–18).

Ø32 side inlets. Lower than 1413.0075



With side inlets and horizontal outlet  
Ø75 mm (including water trap)

OUTLET UNIT Ø 75 | 1433.0075



With side inlets and vertical outlet  
Ø75 mm (including water trap)

OUTLET UNIT Ø 75 | 1413.0075

The water trap is removable and can be taken apart for cleaning

**Note: The outlet unit can be used in 2 different ways:**  
If the water trap is positioned at the top and the two side spigots are used for an external unit, then a separate water trap must be installed on the added unit.

If the water trap is pushed down into the outlet unit, the unit connected to the side spigots will be covered by the included water trap, so there is no need for an external water trap.

The water trap is removable and can be taken apart for cleaning

**Note: The outlet unit can be used in 3 different ways:**  
If the water trap is positioned at the top and the top two side spigots are used as inlets from an external unit, then a separate water trap must be installed on the added unit.

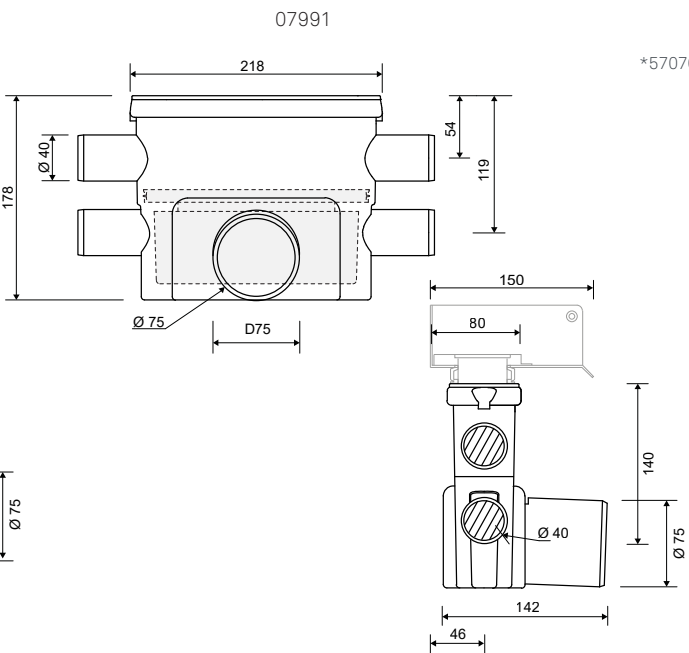
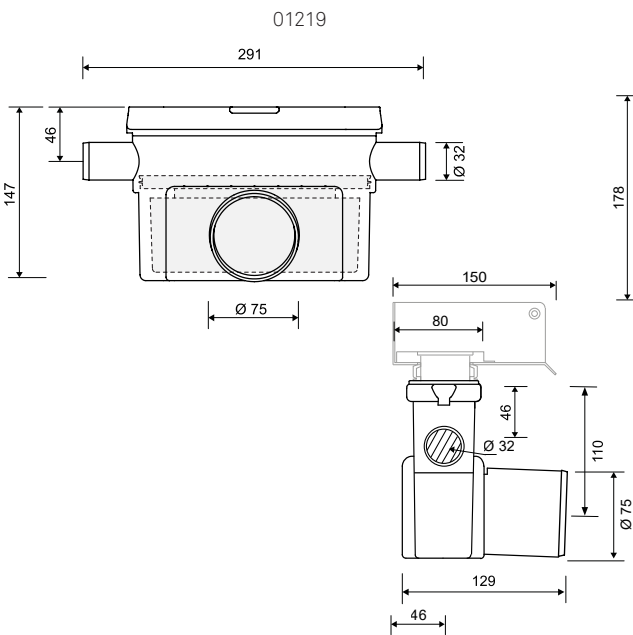
If the water trap is pushed down into the outlet unit, the external unit connected to the top side spigots will be covered by the included water trap, so there is no need for an external water trap.

If the bottom two side inlets are used, you must establish an external water trap, regardless of the position of the Unidrain water trap.

Ø 75 mm
Horizontal
1.4 l/s
With
2 x Ø 32 mm (opened as needed)
Unit 1001-02-03-04, 1100, 3002, 3004, 5002-03, 4004
1433.0075

Ø 75 mm
Horizontal
1.5 l/s
With
4 x Ø 40 mm (opened as needed)
Unit 1001-02-03-04, 1100, 3002, 3004, 5002-03, 4004
1413.0075

Outlet dimension
Outlet direction
Capacity
Water trap/odour barrier
Side inlet
Suitable for use with
Item no.



EAN no.\*:  
\*57076920xxxxx



**WATER TRAP |  
1820.0050**

Water trap 50 mm water seal. Meets capacity and self-cleaning requirements according to EN 1253 (the pan-European standard for floor drains) and is VA-approved.

The water trap can be removed from the outlet unit and then dismantled for cleaning.

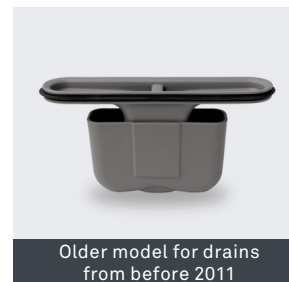
NOTE: Suitable only for outlet unit 1418.0050



**WATER TRAP |  
1820.0040**

Meets capacity and self-cleaning requirements according to EN 1253 (the pan-European standard for floor drains) and is VA-approved.

The water trap can easily be removed from the outlet unit using the mounted hook. Then dismantle and clean the water trap.



**WATER TRAP |  
1820.0010**

Meets capacity and self-cleaning requirements according to EN 1253 (the pan-European standard for floor drains) and is VA-approved. The water trap can be removed from the outlet unit and then dismantled for cleaning.



**WATER TRAP |  
1820.0060**

Meets capacity and self-cleaning requirements according to EN 1253 (the pan-European standard for floor drains) and is VA-approved. The water trap can be removed from the outlet unit for cleaning.

Use	Line drain	Line drain	Line drain	Line drain
Model	1820	1820	1820	1820
Material	Plastic (PP)	Plastic (PP)	Plastic (PP)	Plastic (PP)
Surface	-	-	-	-
Gasket	TPE	TPE	TPE	TPE
Suitable for outlet unit	1418.0050	1411.0050, 1411.0075, 1412.0075, 1413.0075, 1414.0075, 1415.0050, 1416.0050, 1421.0075, 1435.0075	1401.0050, 1401.0075, 1402.0075, 1405.0050, 1403.0075, 1404.0075	1443.0050, 1443.0075
Item no.	1820.0050	1820.0040	1820.0010	1820.0060
EAN no.*	12728	08011	02439	13213



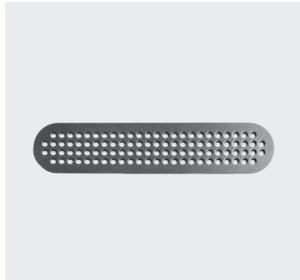


**ODOUR BARRIER |**  
**1820.0030**

Has an automatic odour barrier instead of a water trap, so that it cannot dry out. Can be removed for cleaning. VA-approved.

**•Should not be used in multi-storey buildings**

- Can react to the over- and under-pressure in the drainage system
- Correct venting of the drain system is therefore important, so that the odour barrier functions correctly
- Opens and closes with the help of a spring
- A rubber seal ensures that the odour barrier is closed when not in used



**STRAINER |**  
**1810.0000**

Simple and easy day-to-day maintenance of floor drain.

The strainer is placed on top of the built-in water trap / odor barrier. Prevents the water trap from becoming clogged.



**SEALING COVER |**  
**1890.0000**

For testing of the wetroom solution for leaks before laying tiles. Placed in the drain unit. Fill the shower niche with 20-mm water and allow to stand for 24 hours to test the seal.



**HOOK |**  
**1840.0000**

Hook to lift the water trap up from the outlet unit. Suitable for use with line and corner models.

Line drain	Line drain	Line drain	Corner/line	Use
1820	1810	1890	1840	Model
Plast (PP)	Stainless steel	Plast (PP)	Plastic/steel	Material
-	Brushed	-	-	Surface
TPE	-	TPE	-	Gasket
	1810.0010	1890.0000	1840.0000	Item no.
1311.0032, 1311.0050, 1312.0050, 1312.0075,	02446	09513	06802	EAN no.*:

\*57076920xxxxx

1820.0030

06710

Specifications

Material: Stainless steel (AISI 304)  
 Surface: Brushed  
 Insert: Synthetic



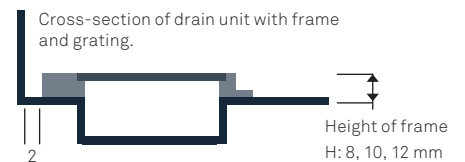
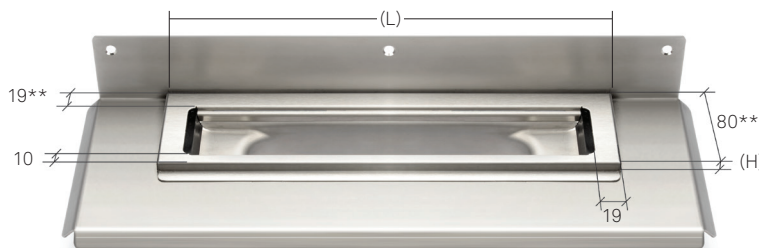
CLASSICLINE FRAME | BRUSHED STEEL | 1500

Available in 8, 10 and 12 mm heights (depending on the thickness of the floor tile). The rubber insert ensures a snug fit inside the unit. A countersunk bearing ensures that the grating fits perfectly into the frame. The frame is non-optional and has two functions: To support the grating and give a perfectly flush finish with the tiled floor.

**NB! Frame height (H) = tile thickness + approximately 2 mm for tile mortar and membrane.**

Length model	300*	600*	700*	800*	900*	1000*	1200*	
*Length (L)	315 mm	595 mm	695 mm	795 mm	895 mm	995 mm	1195 mm	
Suitable for drain unit	1004	1001, 1002, 1003, 1004, 1100, 5002,5003						
Item no.	8 mm (H)	1500.0308	1500.0608	1500.0708	1500.0808	1500.0908	1500.1008	1500.1208
EAN no.*:		03245	11066	03276	03306	03337	03368	03399
Item no.	10 mm (H)	1500.0310	1500.0610	1500.0710	1500.0810	1500.0910	1500.1010	1500.1210
EAN no.*:		03252	11073	03283	03313	03344	03375	03405
Item no.	12 mm (H)	1500.0312	1500.0612	1500.0712	1500.0812	1500.0912	1500.1012	1500.1212
EAN no.*:		03269	11080	03290	03320	03351	03382	03412

\*57076920xxxxx

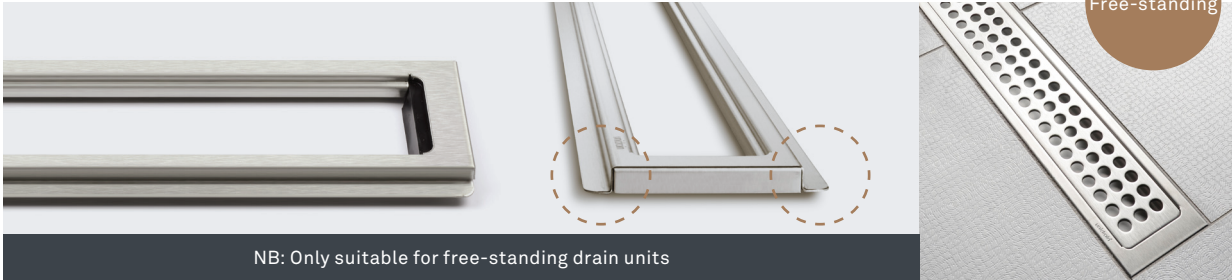


**NB!** \*\* Frame width = 19 mm including 2 mm gap to back flange  
 = 80 mm, including 2 mm gap to back flange

Specifications

Material: Stainless steel (AISI 304).  
 Surface: Brushed.  
 Insert: Synthetic

Free-standing



NB: Only suitable for free-standing drain units

CLASSICLINE FRAME | BRUSHED STEEL | 3500

Available in 8, 10 and 12 mm heights (depending on the thickness of the floor tile).

The rubber insert ensures a snug fit inside the unit. A countersunk bearing ensures that the grating fits perfectly into the frame.

The frame is non-optional and has two functions: To support the grating and give a perfectly flush finish with the tiled floor.

The grating is selected from among six attractive designs (see p. 33)

**NB! Frame height (H) = tile thickness + approximately 2 mm for tile mortar and membrane.**

300*	700*	800*	900*	1000*	1200*	Length model	
315 mm	695 mm	795 mm	895 mm	995 mm	1195 mm	Length (L)	
3004	3002, 3004	3004	3002, 3004		3004	Suitable for drain unit	
3500.0308	3500.0708	3500.0808	3500.0908	3500.1008	3500.1208	8 mm (H)	Item no. EAN no.*:
6154	6185	8806	6215	8837	8868		
3500.0310	3500.0710	3500.0810	3500.0910	3500.1010	3500.1210	10 mm (H)	Item no. EAN no.*:
6161	6192	8813	6222	8844	8875		
3500.0312	3500.0712	3500.0812	3500.0912	3500.1012	3500.1212	12 mm (H)	Item no. EAN no.*:
06178	06208	08820	06239	08851	08882		

\*57076920xxxxx



Cross-section of drain unit with frame and grating.



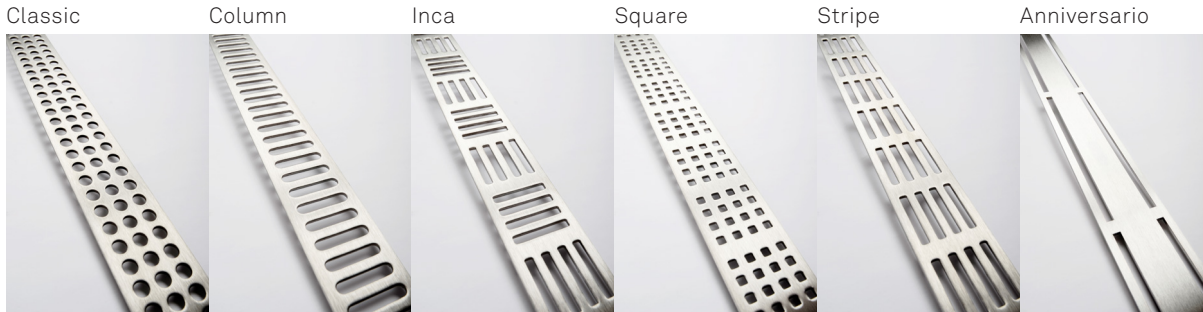
\*Height of frame H: 8, 10, 12 mm





Specifications

Material: 3 mm stainless steel (AISI 304)  
Surface: Brushed

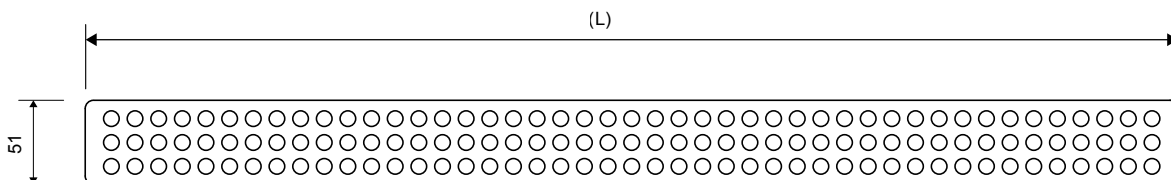


CLASSICLINE GRATING | BRUSHED STEEL | 1601-1606

The grating is placed on a countersunk bearing in the frame, to hold it securely.  
Only for use with ClassicLine frame.

300*	600*	700*	800*	900*	1000*	1200*	Length model *Length (L)	
280 mm	560 mm	660 mm	760 mm	860 mm	960 mm	1160 mm		
1601.0300	1601.0600	1601.0700	1601.0800	1601.0900	1601.1000	1601.1200	Classic	Item no.
02231	11042	01098	01104	01111	02255	02279		EAN no.
1602.0300	1602.0600	1602.0700	1602.0800	1602.0900	1602.1000	1602.1200	Column	Item no.
02286	11059	01128	01135	01142	02309	02323		EAN no.
1603.0300	-	1603.0700	1603.0800	1603.0900	1603.1000	1603.1200	Inca	Item no.
02330	-	01159	01166	01173	02354	02378		EAN no.
1604.0300	-	1604.0700	1604.0800	1604.0900	1604.1000	1604.1200	Square	Item no.
02385	-	01180	01197	01203	02408	02422		EAN no.
1605.0300	-	1605.0700	1605.0800	1605.0900	1605.1000	1605.1200	Stripe	Item no.
02897	-	02910	02927	02934	02941	02965		EAN no.
1606.0300	1606.0600	1606.0700	1606.0800	1606.0900	1606.1000	1606.1200	Anniversario	Item no.
08226	11097	08233	08240	08257	08264	08271		EAN no.

\*57076920xxxxx







Free-standing





NB: Only suitable for free-standing drain units

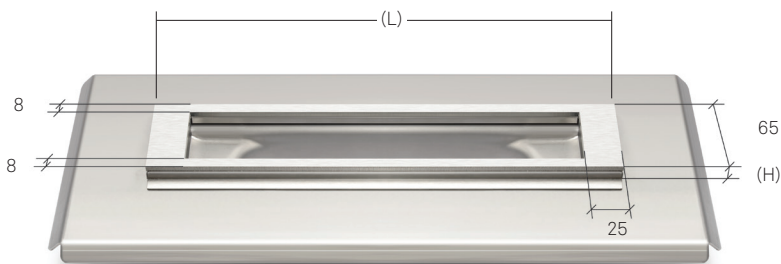
HIGHLINE FREE-STANDING FRAME | 3910

The frame enhances the exclusive design of the floor drain.  
 Frame available in 10, 12, 15 and 25 mm heights (depending on the thickness of the floor tile).  
 Exclusive frame design with upper section of solid 4-mm stainless steel.  
 Insert ensures a snug fit inside the drain unit.  
 HighLine Panel, Cassette or Custom must be selected (see pp. 36, 47 and 48).

**NB! Frame height (H) = tile thickness + approximately 2 mm for tile mortar and membrane.**

300*	700*	800*	900*	1000*	1200*	Length model	
315 mm	695 mm	795 mm	895 mm	995 mm	1195 mm	Length (L)	
3004	3002, 3004	3004	3002, 3004		3004	Suitable for drain unit	
3910.0310	3910.0710	3910.0810	3910.0910	3910.1010	3910.1210	10 mm (H)	Item no.
06246	06284	08899	06321	08936	08974		EAN no.*:
3910.0312	3910.0712	3910.0812	3910.0912	3910.1012	3910.1212	12 mm (H)	Item no.
06253	06291	08905	06338	08943	08981		EAN no.*:
3910.0315	3910.0715	3910.0815	3910.0915	3910.1015	3910.1215	15 mm (H)	Item no.
06260	06307	08912	06345	08950	08998		EAN no.*:
3910.0325	3910.0725	3910.0825	3910.0925	3910.1025	3910.1225	25 mm (H)	Item no.
06277	06314	08929	06352	08967	09001		EAN no.*:

\*57076920xxxxx

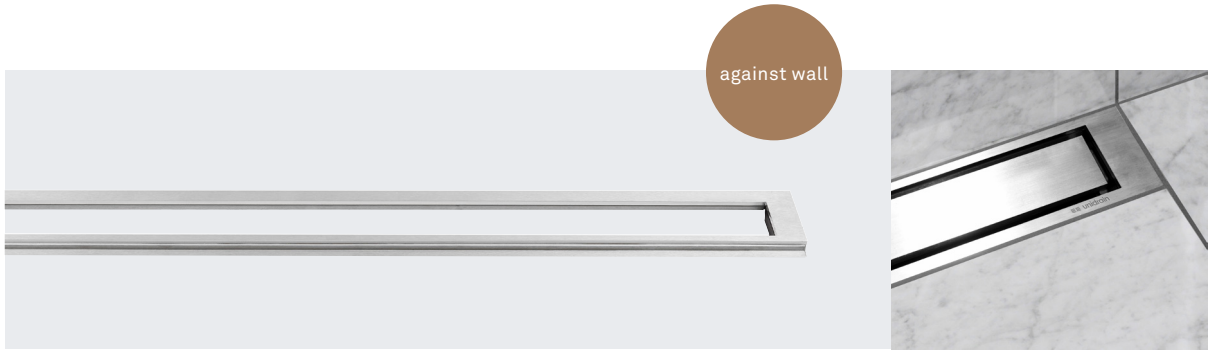


Cross-section of drain unit with frame and grating.



Specifications

Material: Stainless steel (AISI 304)  
 Surface: Brushed  
 Insert: Synthetic

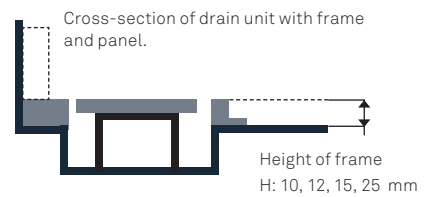
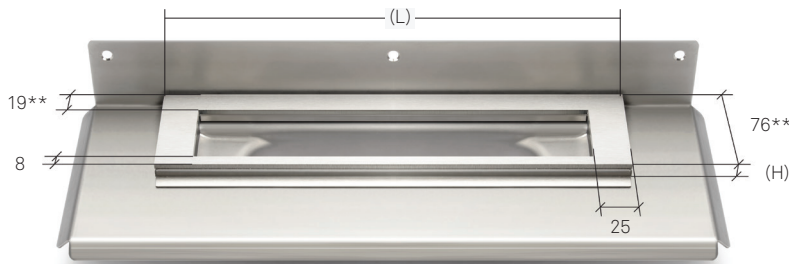


HIGHLINE FRAME | BRUSHED STEEL | 1910

Exclusive frame design with upper section of solid 4-mm stainless steel.  
 Insert ensures a snug fit inside the drain unit.  
 The frame enhances the exclusive design of the floor drain.  
 Frame available in 10, 12, 15 and 25 mm heights (depending on the thickness of the floor tile).  
**NB! Frame height (H) = tile thickness + approximately 2 mm for tile mortar and membrane.**

Length model		300*	700*	800*	900*	1000*	1200*
Length Frame (L) *		315 mm	695 mm	795 mm	895 mm	995 mm	1195 mm
Item no.	10 mm (H)	1910.0310	1910.0710	1910.0810	1910.0910	1910.1010	1910.1210
EAN no.*:		04242	04259	04266	04273	04280	04297
Item no.	12 mm (H)	1910.0312	1910.0712	1910.0812	1910.0912	1910.1012	1910.1212
EAN no.*:		04303	04310	04327	04334	04341	04358
Item no.	15 mm (H)	1910.0315	1910.0715	1910.0815	1910.0915	1910.1015	1910.1215
EAN no.*:		04365	04372	04289	04396	04402	04419
Item no.	25 mm (H)	1910.0325	1910.0725	1910.0825	1910.0925	1910.1025	1910.1225
EAN no.*:		04426	04433	04440	04457	04464	04471

\*57076920xxxxx



**NB!** \*\*Frame width = 19 mm including 2 mm gap to back flange  
 = 76 mm including 2 mm gap to back flange



Specifications

Material: Stainless steel (AISI 304)

Surface: Brushed

Heightener set: Plastic (PE)

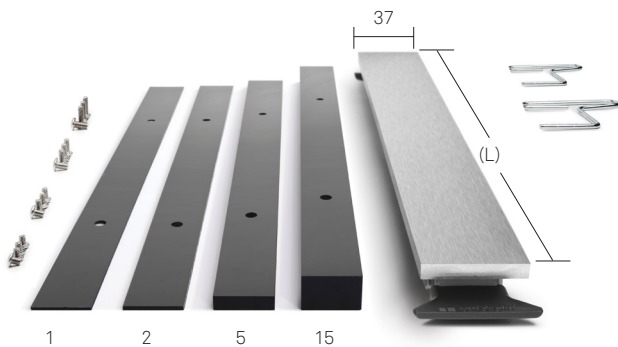


HIGHLINE PANEL | BRUSHED STEEL | 1920

The set consists of a panel, rail, heightener set and screws. The set must be assembled before installation. Includes 2 x hooks to be used for lifting the panel. The panel solution is placed directly inside the drain unit. The rail is specially designed to provide a snug fit. Installed with HighLine frame. The heightener set to adjust the panel is included, so that the panel can be matched to the frame height.

300*	700*	800*	900*	1000*	1200*	Length model	
253 mm	633 mm	733 mm	833 mm	933 mm	1133 mm	Length Panel (L)*	
1920.0300	1920.0700	1920.0800	1920.0900	1920.1000	1920.1200	10 mm (H)	Item no.
04488	04495	04501	04518	04525	04532		EAN no.*:

\*57076920xxxx



Heightener set:

H: 1, 2, 5, 15 mm

Adjust the height of the panel if the floor tile is more than 10 mm thick. Fitted between panel and rail.

Specifications

Material: Stainless steel (AISI 304)  
 Surface: Polished  
 Insert: Synthetic

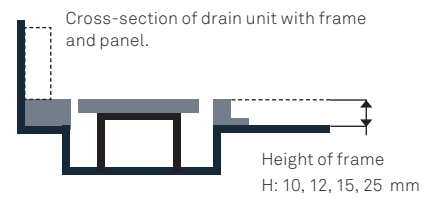
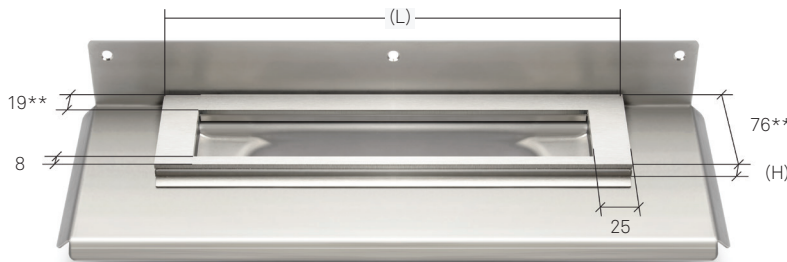


HIGHLINE COLOUR FRAME | HAND-POLISHED STEEL | 1918

Exclusive frame design with upper section of solid 4-mm stainless steel.  
 Insert ensures a snug fit inside the drain unit.  
 The frame enhances the exclusive design of the floor drain.  
 Frame available in 10, 12, 15 and 25 mm heights (depending on the thickness of the floor tile).  
**NB! Frame height (H) = tile thickness + approximately 2 mm for tile mortar and membrane.**

Length model		300*	700*	800*	900*	1000*	1200*
Length Frame (L) *		315 mm	695 mm	795 mm	895 mm	995 mm	1195 mm
Item no.	10 mm (H)	1918.0310	1918.0710	1918.0810	1918.0910	1918.1010	1918.1210
EAN no.*:		10113	10120	11523	10137	11561	11608
Item no.	12 mm (H)	1918.0312	1918.0712	1918.0812	1918.0912	1918.1012	1918.1212
EAN no.*:		11820	11943	12063	12186	12308	12421
Item no.	15 mm (H)	1918.0315	1918.0715	1918.0815	1918.0915	1918.1015	1918.1215
EAN no.*:		11837	11950	12070	12193	12315	12438
Item no.	25 mm (H)	1918.0325	1918.0725	1918.0825	1918.0925	1918.1025	1918.1225
EAN no.*:		11844	11967	12087	12209	12322	12445

\*57076920xxxxx



**NB!** \*\*Frame width = 19 mm including 2 mm gap to back flange  
 = 76 mm including 2 mm gap to back flange

Specifications

Material: Stainless steel (AISI 304)

Surface: Polished

Heightener set: Plastic (PE)

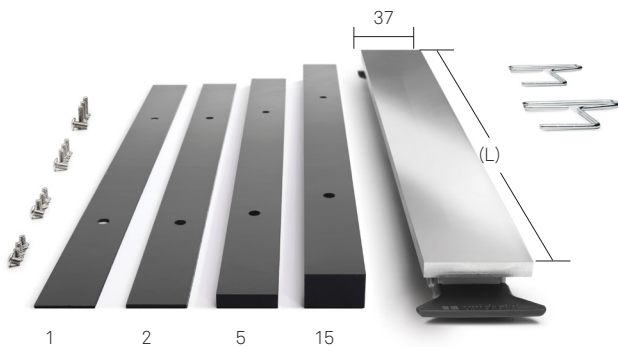


HIGHLINE COLOUR PANEL | HAND-POLISHED STEEL | 1920

The set consists of a panel, rail, heightener set and screws. The set must be assembled before installation. Includes 2 x hooks to be used for lifting the panel. The panel solution is placed directly inside the drain unit. The rail is specially designed to provide a snug fit. Installed with HighLine frame. The heightener set to adjust the panel is included, so that the panel can be matched to the frame height.

300*	700*	800*	900*	1000*	1200*	Length model	
253 mm	633 mm	733 mm	833 mm	933 mm	1133 mm	Length Panel (L)*	
1920.0318	1920.0718	1920.0818	1920.0918	1920.1018	1920.1218	10 mm (H)	Item no.
10144	10151	11646	10168	11684	11721		EAN no.*:

\*57076920xxxxx



Heightener set:

H: 1, 2, 5, 15 mm

Adjust the height of the panel if the floor tile is more than 10 mm thick. Fitted between panel and rail.

Specifications

Material: Stainless steel (AISI 304)  
 Surface: Brushed PVD  
 Insert: Synthetic

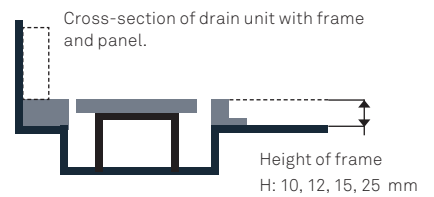
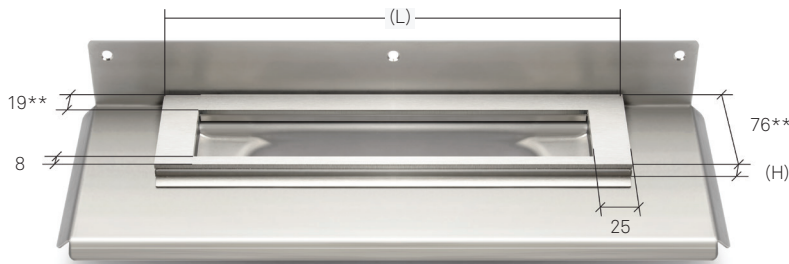


HIGHLINE COLOUR FRAME | BRASS | 1915

Exclusive frame design with upper section of solid 4-mm stainless steel.  
 Insert ensures a snug fit inside the drain unit.  
 The frame enhances the exclusive design of the floor drain.  
 Frame available in 10, 12, 15 and 25 mm heights (depending on the thickness of the floor tile).  
**NB! Frame height (H) = tile thickness + approximately 2 mm for tile mortar and membrane.**

Length model		300*	700*	800*	900*	1000*	1200*
Length Frame (L) *		315 mm	695 mm	795 mm	895 mm	995 mm	1195 mm
Item no.	10 mm (H)	1915.0310	1915.0710	1915.0810	1915.0910	1915.1010	1915.1210
EAN no.*:		09674	09681	11493	09698	11530	11578
Item no.	12 mm (H)	1915.0312	1915.0712	1915.0812	1915.0912	1915.1012	1915.1212
EAN no.*:		11738	11851	11974	12094	12216	12339
Item no.	15 mm (H)	1915.0315	1915.0715	1915.0815	1915.0915	1915.1015	1915.1215
EAN no.*:		11745	11868	11981	12100	12223	12346
Item no.	25 mm (H)	1915.0325	1915.0725	1915.0825	1915.0925	1915.1025	1915.1225
EAN no.*:		11752	11875	11998	12117	12230	12353

\*57076920xxxxx



**NB!** \*\*Frame width = 19 mm including 2 mm gap to back flange  
 = 76 mm including 2 mm gap to back flange

Specifications

Material: Stainless steel (AISI 304)  
 Surface: Polished  
 Heightener set: Plastic (PE)

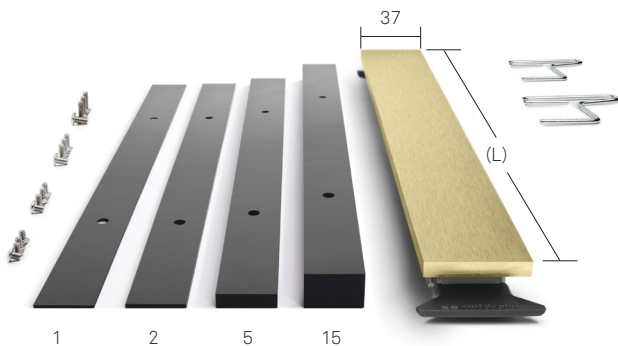


HIGHLINE COLOUR PANEL | BRASS | 1920

The set consists of a panel, rail, heightener set and screws. The set must be assembled before installation.  
 Includes 2 x hooks to be used for lifting the panel  
 The panel solution is placed directly inside the drain unit.  
 The rail is specially designed to provide a snug fit. Installed with HighLine frame.  
 The heightener set to adjust the panel is included, so that the panel can be matched to the frame height.

300*	700*	800*	900*	1000*	1200*	Length model	
253 mm	633 mm	733 mm	833 mm	933 mm	1133 mm	Length Panel (L)*	
1920.0315	1920.0715	1920.0815	1920.0915	1920.1015	1920.1215	10 mm (H)	Item no.
09773	09780	11615	09797	11653	11691		EAN no.*:

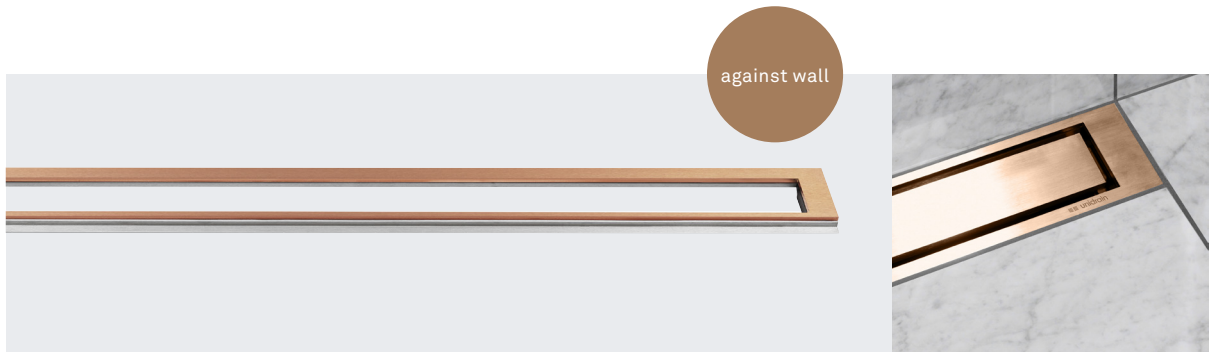
\*57076920xxxxx



Heightener set:  
 H: 1, 2, 5, 15 mm  
 Adjust the height of the panel if the floor tile is more than 10 mm thick. Fitted between panel and rail.

Specifications

Material: Stainless steel (AISI 304)  
 Surface: Brushed PVD  
 Insert: Synthetic

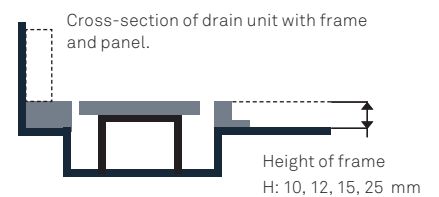
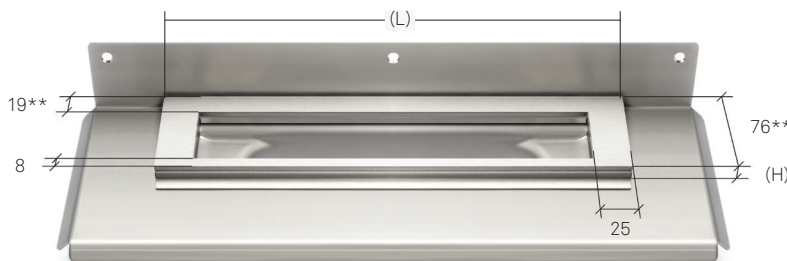


HIGHLINE COLOUR FRAME | COPPER | 1916

Exclusive frame design with upper section of solid 4-mm stainless steel.  
 Insert ensures a snug fit inside the drain unit.  
 The frame enhances the exclusive design of the floor drain.  
 Frame available in 10, 12, 15 and 25 mm heights (depending on the thickness of the floor tile).  
**NB! Frame height (H) = tile thickness + approximately 2 mm for tile mortar and membrane.**

Length model		300*	700*	800*	900*	1000*	1200*
Length Frame (L) *		315 mm	695 mm	795 mm	895 mm	995 mm	1195 mm
Item no.	10 mm (H)	1916.0310	1916.0710	1916.0810	1916.0910	1916.1010	1916.1210
EAN no.*:		09704	09711	11509	09728	11547	11585
Item no.	12 mm (H)	1916.0312	1916.0712	1916.0812	1916.0912	1916.1012	1916.1212
EAN no.*:		11769	11882	12001	12124	12247	12360
Item no.	15 mm (H)	1916.0315	1916.0715	1916.0815	1916.0915	1916.1015	1916.1215
EAN no.*:		11776	11899	12018	12131	12254	12377
Item no.	25 mm (H)	1916.0325	1916.0725	1916.0825	1916.0925	1916.1025	1916.1225
EAN no.*:		11783	11905	12025	12148	12261	12384

\*57076920xxxxx



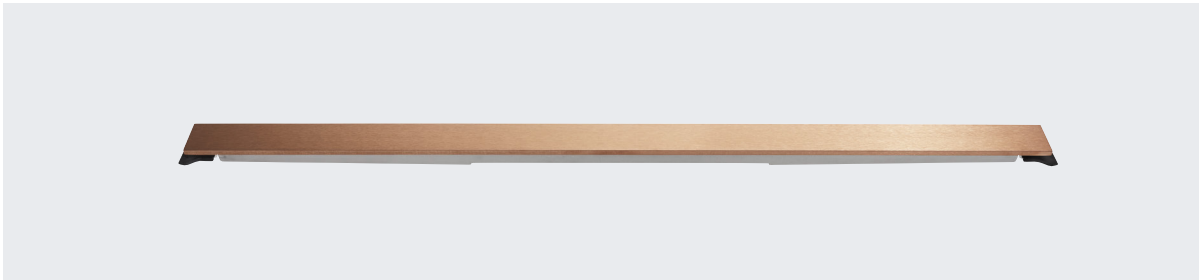
**NB!** \*\*Frame width = 19 mm including 2 mm gap to back flange  
 = 76 mm including 2 mm gap to back flange

Specifications

Material: Stainless steel (AISI 304)

Surface: Brushed PVD

Heightener set: Plastic (PE)

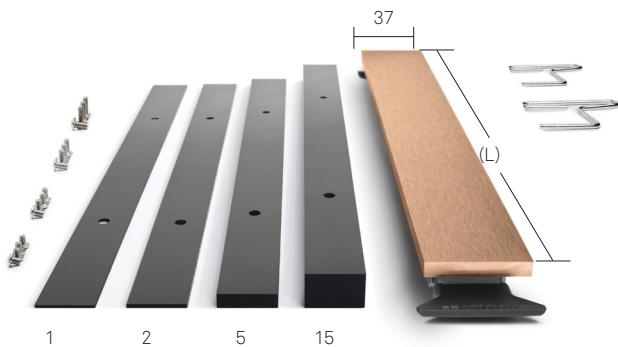


HIGHLINE COLOUR FRAME | COPPER | 1920

The set consists of a panel, rail, heightener set and screws. The set must be assembled before installation. Includes 2 x hooks to be used for lifting the panel. The panel solution is placed directly inside the drain unit. The rail is specially designed to provide a snug fit. Installed with HighLine frame. The heightener set to adjust the panel is included, so that the panel can be matched to the frame height.

300*	700*	800*	900*	1000*	1200*	Length model	
253 mm	633 mm	733 mm	833 mm	933 mm	1133 mm	Length Panel (L)*	
1920.0316	1920.0716	1920.0816	1920.0916	1920.1016	1920.1216	10 mm (H)	Item no.
09803	09810	11622	09827	11660	11707		EAN no.*:

\*57076920xxxxx



Heightener set:

H: 1, 2, 5, 15 mm

Adjust the height of the panel if the floor tile is more than 10 mm thick. Fitted between panel and rail.

Specifications

Material: Stainless steel (AISI 304)  
 Surface: Brushed PVD  
 Insert: Synthetic

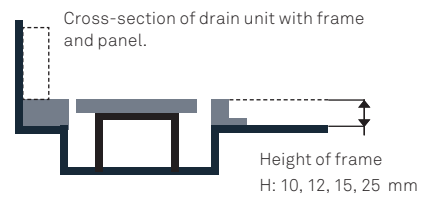
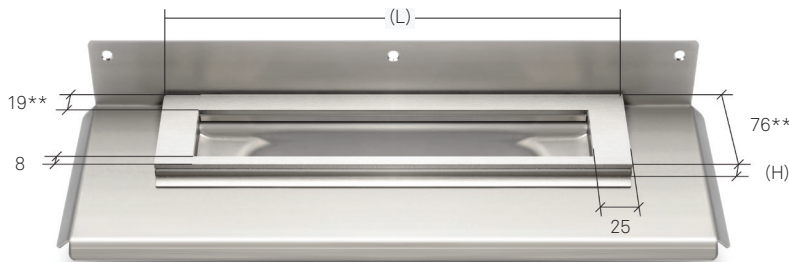


HIGHLINE COLOUR FRAME | BLACK | 1917

Exclusive frame design with upper section of solid 4-mm stainless steel.  
 Insert ensures a snug fit inside the drain unit.  
 The frame enhances the exclusive design of the floor drain.  
 Frame available in 10, 12, 15 and 25 mm heights (depending on the thickness of the floor tile).  
**NB! Frame height (H) = tile thickness + approximately 2 mm for tile mortar and membrane.**

Length model		300*	700*	800*	900*	1000*	1200*
Length Frame (L) *		315 mm	695 mm	795 mm	895 mm	995 mm	1195 mm
Item no.	10 mm (H)	1917.0310	1917.0710	1917.0810	1917.0910	1917.1010	1917.1210
EAN no.*:		09742	09759	11516	09766	11554	11592
Item no.	12 mm (H)	1917.0312	1917.0712	1917.0812	1917.0912	1917.1012	1917.1212
EAN no.*:		11790	11912	12032	12155	12278	12391
Item no.	15 mm (H)	1917.0315	1917.0715	1917.0815	1917.0915	1917.1015	1917.1215
EAN no.*:		11806	11929	12049	12162	12285	12407
Item no.	25 mm (H)	1917.0325	1917.0725	1917.0825	1917.0925	1917.1025	1917.1225
EAN no.*:		11813	11936	12056	12179	12292	12414

\*57076920xxxxx



**NB!** \*\*Frame width = 19 mm including 2 mm gap to back flange  
 = 76 mm including 2 mm gap to back flange



Specifications

Material: Stainless steel (AISI 304)  
 Surface: Brushed PVD  
 Heightener set: Plastic (PE)

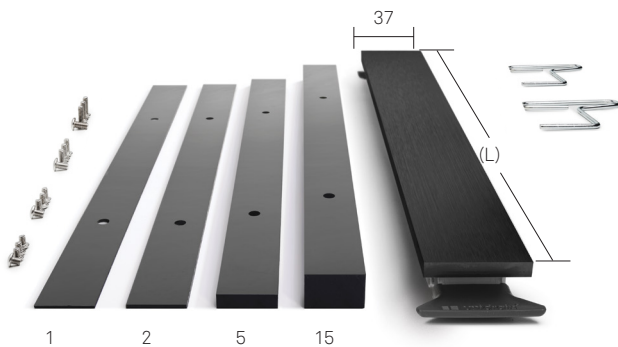


HIGHLINE COLOUR PANEL | BLACK | 1920

The set consists of a panel, rail, heightener set and screws. The set must be assembled before installation. Includes 2 x hooks to be used for lifting the panel.  
 The panel solution is placed directly inside the drain unit.  
 The rail is specially designed to provide a snug fit. Installed with HighLine frame.  
 The heightener set to adjust the panel is included, so that the panel can be matched to the frame height.

300*	700*	800*	900*	1000*	1200*	Length model	
253 mm	633 mm	733 mm	833 mm	933 mm	1133 mm	Length Panel (L)*	
1920.0317	1920.0717	1920.0817	1920.0917	1920.1017	1920.1217	10 mm (H)	Item no.
09834	09841	11639	09858	11677	11714		EAN no.*:

\*57076920xxxxx



Heightener set:  
 H: 1, 2, 5, 15 mm

Adjust the height of the panel if the floor tile is more than 10 mm thick. Fitted between panel and rail.







Specifications

Material: Stainless steel (AISI 304)

Surface: Brushed

Heightener set: Plastic (PE)

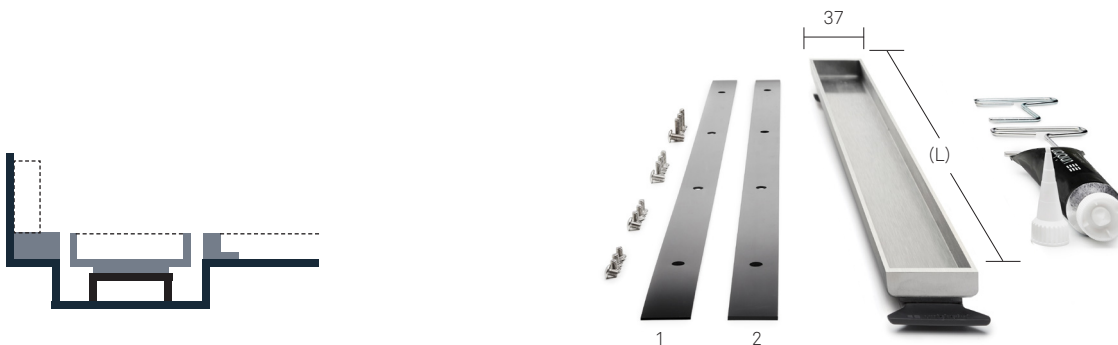


HIGHLINE | CASSETTE | 1940

The set consists of a cassette, rail, heightener set and screws. The set must be assembled before installation. Available in 10, 12, 15 and 25 mm heights (depending on the thickness of the floor tile). Supplement cassette with your own material (e.g. matching floor tile), to complete the solution. The cassette solution is placed directly inside the drain unit. The rail is specially designed to provide a snug fit.

300*	700*	800*	900*	1000*	1200*	Length model	
253 mm	633 mm	733 mm	833 mm	933 mm	1133 mm	Length Cassette (L)*	
315 mm	695 mm	795 mm	895 mm	995 mm	1195 mm	Length Frame	
1940.0310	1940.0710	1940.0810	1940.0910	1940.1010	1940.1210	10 mm (H)	Item no.
05089	05096	05102	05119	05126	05133		EAN no.*:
1940.0312	1940.0712	1940.0812	1940.0912	1940.1012	1940.1212	12 mm (H)	Item no.
05140	05157	05164	05171	05188	05195		EAN no.*:
1940.0315	1940.0715	1940.0815	1940.0915	1940.1015	1940.1215	15 mm (H)	Item no.
05201	05218	05225	05232	05249	05256		EAN no.*:
1940.0325	1940.0725	1940.0825	1940.0925	1940.1025	1940.1225	25 mm (H)	Item no.
05263	05270	05287	05294	05300	05317		EAN no.*:

\*57076920xxxxx



Cross-section of drain unit with frame/  
Cassette in brushed steel.

Heightener set:  
H: 1, 2 mm  
Fitted between panel and rail.

### Specifications

Material: Stainless steel (AISI 304)

Surface: Brushed

Heightener set: Plastic (PE)

Without frame



### HIGHLINE CUSTOM | 1950

The set consists of the Custom base, rail, heightener set and screws.

The set must be assembled before installation.

Glue your own floor tile to the base, to complete the solution.

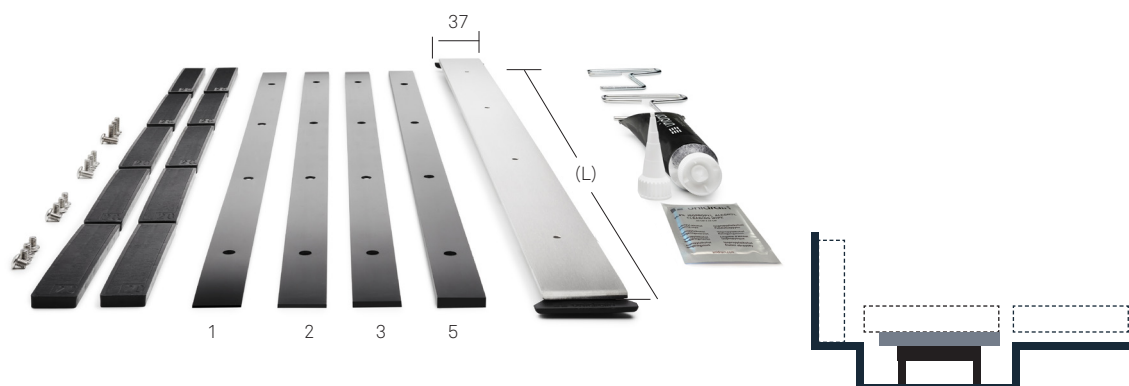
The Custom solution is placed directly inside the drain unit.

The rail is specially designed to provide a snug fit.

Special glue for adhesion of your own tile and 10 x 6-mm spacers to use for installation are also included.

Length model	300*	600*	700*	800*	900*	1000*	1200*
Length Custom (L) *	253 mm	533 mm	633 mm	733 mm	833 mm	933 mm	1133 mm
Item no.	1950.0300	1950.0600	1950.0700	1950.0800	1950.0900	1950.1000	1950.1200
EAN no.*:	05324	11035	05331	05348	05355	05362	05379

\*57076920xxxxx



Heightener set:

H: 1, 2, 3 og 5 mm

Adjust the height of the Custom base if the tile thickness on the base does not correspond to the tiles on the rest of the floor. Fit between base and rail.

Cross-section of drain unit without frame / with Custom (with own material fitted).

To use without frame: Gap between Custom and floor tile = 6 mm

## INSTALLATION INSTRUCTIONS FOR HIGHLINE CUSTOM EXAMPLE WITH 10-MM TILE

### Package contents:

The Custom solution consists of a stainless steel frame and a Custom base, which is assembled with the screws supplied. A heightener set (1, 2, 3 og 5 mm) is included to adjust the height of the base. In addition, 10 pcs. 6 mm spacers elements for placing the Custom base and a special glue for gluing the tile to the Custom base

### 1. FLOOR TILE

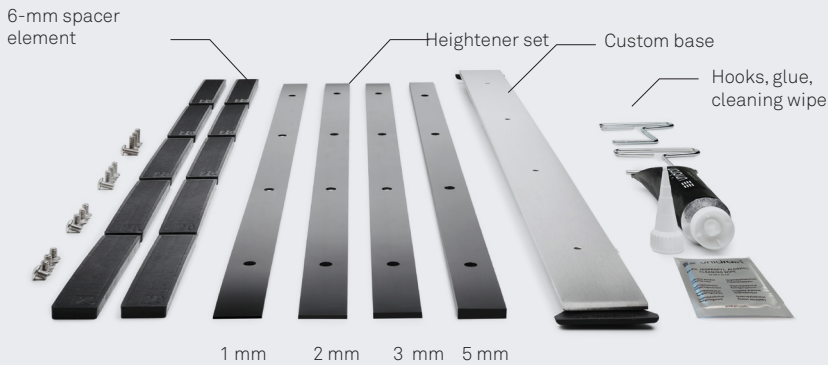
The floor tile is cut to achieve a space between the Custom base and the floor and the wall tile of at least 6 mm. Use spacer element supplied for this.

### 2. & 3. OWN TILE

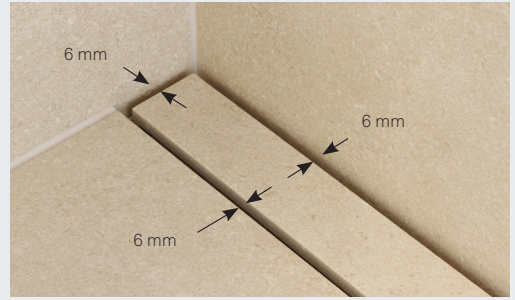
Your own tile is glued to the Custom base with the required overhang at both ends. The overhang can be from 0 mm right up to 40 mm in length, depending on the thickness, material and quality of the tile.

### 4. LONGITUDINAL OVERHANG

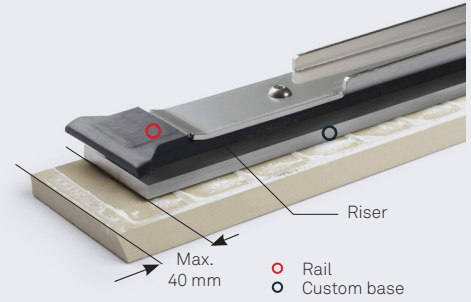
The tile glued on the Custom base can be designed/cut so that it is wider than the actual base. This achieves the recommended 6-mm gap between the wall and the floor tiles, and the Custom panel (in the example shown, the overhang is 6 mm).



1

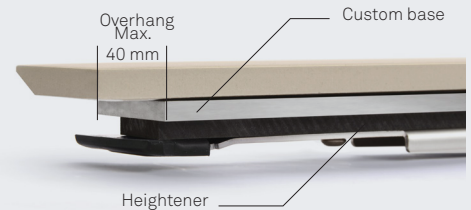


2



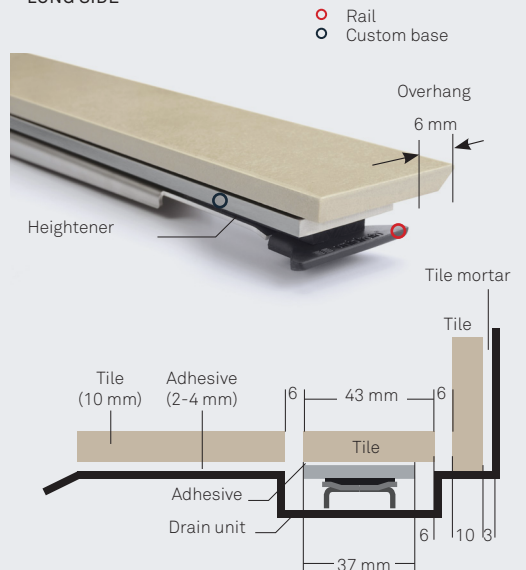
3

### BASE SIDE



4

### LONG SIDE





## BESPOKE DRAINS

BESPOKE ARE SPECIAL DRAIN UNITS PRODUCED TO ORDER

MODULAR DRAIN TRAYS MAKE IT POSSIBLE TO PRODUCE UNIDRAIN FLOOR DRAINS IN ANY LENGTH AND ALONG SEVERAL WALLS. MODULAR DRAIN TRAYS CAN BE SEVERAL METRES LONG, AND ARE THEREFORE IDEAL FOR INSTITUTIONS, CHANGING ROOMS AND LARGE BATHROOMS.

THE OUTLET UNIT, FRAMES AND GRATING COME FROM OUR STANDARD RANGE. THIS MEANS THAT FRAMES AND GRATING ARE LAID END-TO-END, MAKING MAINTENANCE EASY AND CONVENIENT.





EN 1253

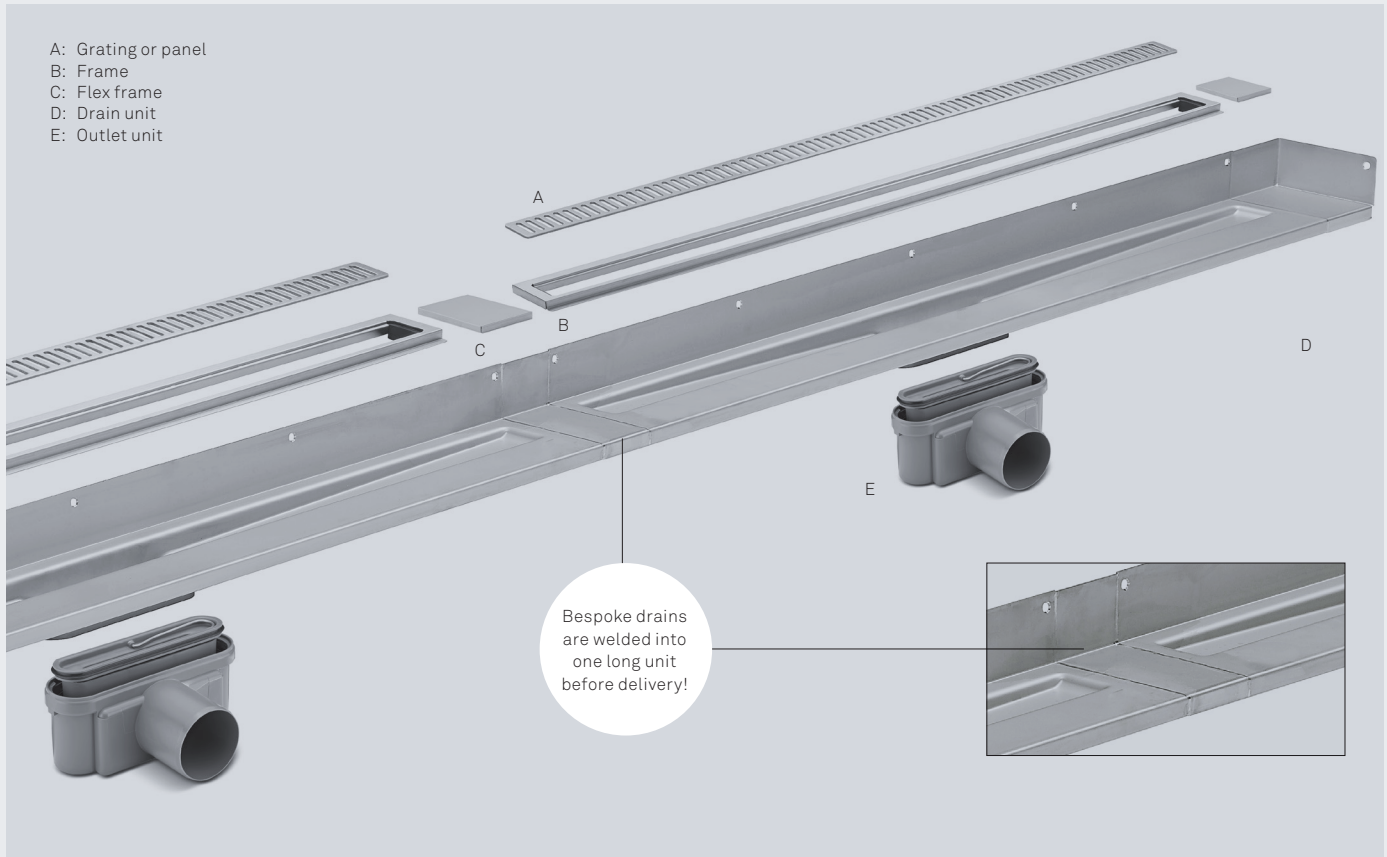
EN 1253  
(Pan-European standard  
for floor drains)

**nk**

MK 7.21/1699  
(Materials and design  
approval)

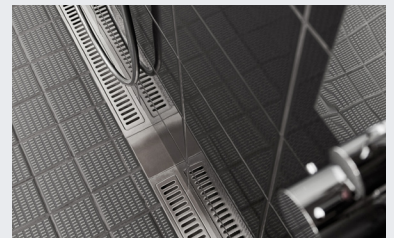
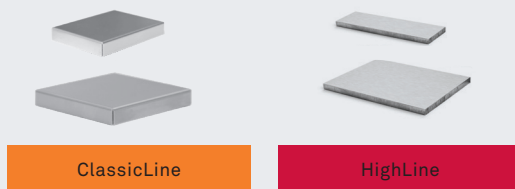
**va**

VA.2.42/1987 2  
(Technical approval)



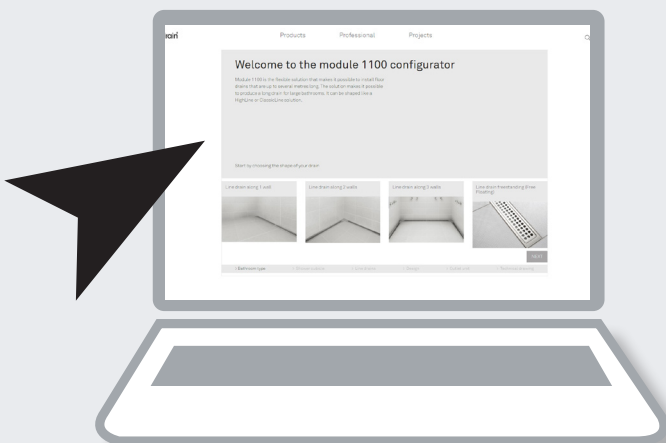
**FLEX FRAMES**

Flex frames are used to extend the floor drain's visible length. They are laid end-to-end to the frame, using tile mortar, so there is no need to cut small pieces of tile.



**BESPOKE CONFIGURATOR**

**YOU CAN CALCULATE YOUR BESPOKE DRAIN YOURSELF**



Enter your bathroom's dimensions and select your preferred modules, then select a ClassicLine or HighLine solution, and an outlet unit.

The calculation creates a drawing which shows the specifications of the required drain.

Send the calculation to us and we will prepare a quote for you.

[www.unidrain.com/bespoke](http://www.unidrain.com/bespoke)



## EXAMPLES OF SOLUTIONS



### TWO MODULES WITHOUT FLEX FRAMES

One bespoke drain unit that covers the double length of a standard model and without using flex frames to extend it.



### ONE MODULE WITH FLEX FRAMES

Retain the vertical end flanges, even for odd measurements. Excess space is filled with flex frames in the sides.



### TWO MODULES WITH FLEX FRAMES

When the bespoke drain unit has odd measurements, the excess space is filled using symmetrically-placed flex frames.



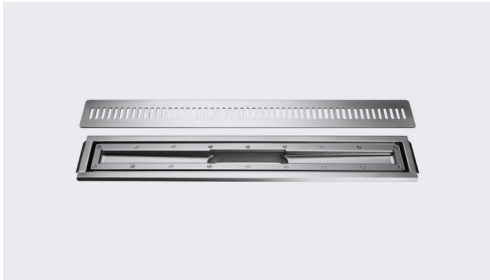




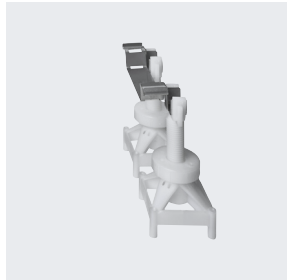
## UNIDRAIN VINYL

- EFFECTIVE AND SAFE INSTALLATION
- EASY AND QUICK TO INSTALL
- MAGNETS KEEP THE GRATING IN PLACE WITHOUT ANY VISIBLE SCREWS AND FITTINGS
- WELL-KNOWN UNIDRAIN COMPONENTS AND INSTALLATION TECHNIQUES
- ALL IN ONE PACKAGE

**\*Note  
installation  
dimensions!**



VINYL SET | 4004



HEIGHT-ADJUSTABLE  
FEET | 4814.0000



MOUNTING SET  
VINYL | 4804.1022

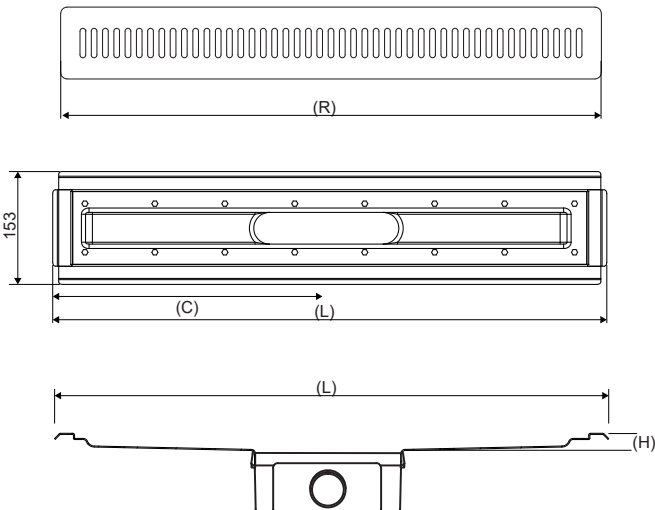
The vinyl set comprises a magnetic unit, frame and grating. For shower cubicles without fixed walls.

Four height-adjustable feet (120-220 mm) for installation on concrete.

Consists of 4 wooden profiles that are screwed into the wooden joists. The drain unit is inserted into the profile and "clicks" into place. Ensures correct positioning and fixing of the drain unit in wooden floor joist structures. Adjusted to the correct length by cutting the wooden profile.

None				None	None	Wall flange
700*	800*	900*	1000*	Suitable for 700 - 1000	Suitable for 700 - 1000	Model
750 mm	850 mm	950 mm	1050 mm	-	-	*Length (L)
685 mm	785 mm	885 mm	985 mm	-	-	Grating (R)
375 mm	425 mm	475 mm	525 mm	-	-	Centre (C)
24 mm	25 mm	26 mm	27 mm	-	-	Height (H)
4004.0700	4004.0800	4004.0900	4004.1000	4814.0000	4804.1022	Item no.
09599	09605	09612	09629	09667	96500	EAN no.*:

\*57076920xxxxx



**NB!** Height (H in table) + height of the selected outlet unit = total building height.







Specifications

Material: Stainless steel (AISI 304)  
Surface: Brushed



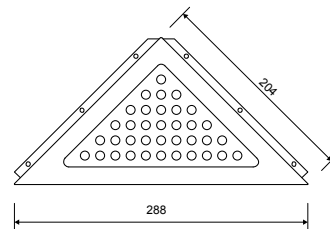
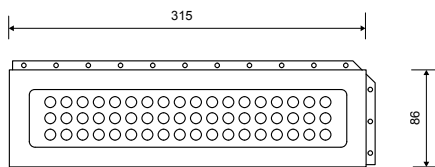
SOAP SHELF, LINE | 1850

SOAP SHELF, CORNER | 2850

Soap shelf including grating and mounting set.  
Designed for insertion in tile joint or for mounting in an existing shower cubicle.  
For corner installation only - applies to both models.

300*	200*	Length model	
315 mm	288/204 mm	*Length (L)	
1850.0301	2850.0201	Classic	Item no.
06369	06383		EAN no.*:
1850.0302	2850.0202	Column	Item no.
06376	06390		EAN no.*:
1850.0306	2850.0206	Anni- versario	Item no.
09377	09346		EAN no.*:

\*57076920xxxxx



Classic



Classic



Column



Column



Anni-versario



Anni-versario





## C O R N E R

CORNER THE CORNER DRAIN IS A DISCREET SOLUTION FOR BATHROOMS AND UTILITY ROOMS WITH LIMITED SPACE. THE FLOOR DRAIN IS MUCH SMALLER THAN OTHER SIMILAR FLOOR DRAINS IN THE MARKET. THE CORNER POSITION AGAINST THE WALL ALSO CREATES MORE SPACE IN THE SHOWER CUBICLE.





EN 1253

EN 1253  
(Pan-European standard  
for floor drains)

**nk**

MK 7.21/1699  
(Materials and design  
approval)

**va**

VA.2.42/20795  
(Technical approval)

Specifications

Material: 1.5-mm stainless steel (AISI 304)  
 Surface: Pickled  
 Membrane: Liquid or sheet membrane  
 Floor structure: All  
 Floor covering: Tiles

See frame, grating and panel page 66-67

NEW!



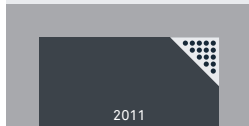
DRAIN UNIT | 2011.0200

HIGHLINE CUSTOM 2951.0200

The drain unit has two wall flanges and one floor flange.

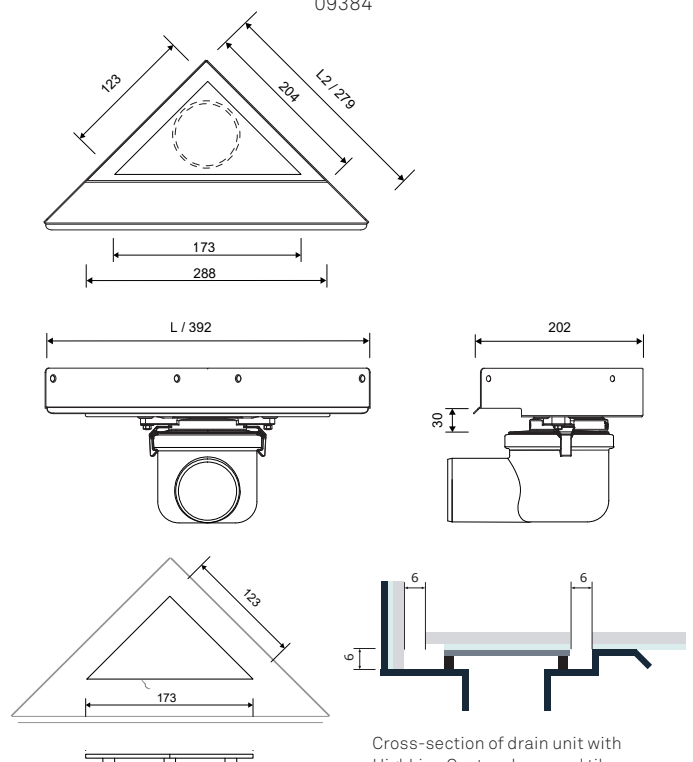
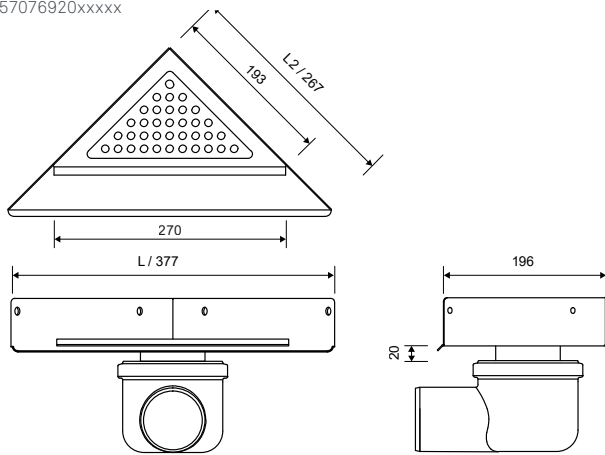
Complete drain system with corner unit and Custom base. The unit has been updated for easier installation. **Note: the drain unit fits only the HighLine Custom solution.**

Attach the tile to the custom base using the glue supplied. Use the included spacers to position the base and tile correctly.



Wall flange	Two back walls	Corner drain wall
Length model	200 mm	Custom
Length (L)	L1: 377/L2: 267 mm	200
Frame (R)	270/193 mm	-
Item no.	2011.0200	2951.0200
EAN no.*:	06659	09384

\*57076920xxxx



**NB!** Total building height (excluding frame/grating) = see technical drawings of outlet units, p. 62-63.

Cross-section of drain unit with HighLine Custom base and tile.





### MOUNTING SET FOR WOOD PANELS 200 MM | 2801.0222

The set consists of a front, side and back profile that are mounted into wooden joists using screws. The drain unit is inserted into the profile and "clicks" into place. Ensures correct positioning and fixing of the drain unit in wooden floor joist structures.

Corner drain wall	Wall flange
200 mm	Length model
Stainless steel/wood	Length (L)
Stained/wood	Frame (R)
2801.0222	Item no.
04136	EAN no.*:
	*57076920xxxxx

Specifications

Material: Plastic (PP)  
Gasket: EPDM



OUTLET UNIT Ø50 |  
2411.0050

Ø 50-mm horizontal drain. Including removable water trap that can be dismantled for cleaning. Can be turned in all directions, to simplify pipework.



OUTLET UNIT Ø75 |  
2411.0075

Horizontal drain, Ø 75 mm Including removable water trap that can be dismantled for cleaning. Can be turned in all directions, to simplify pipework.

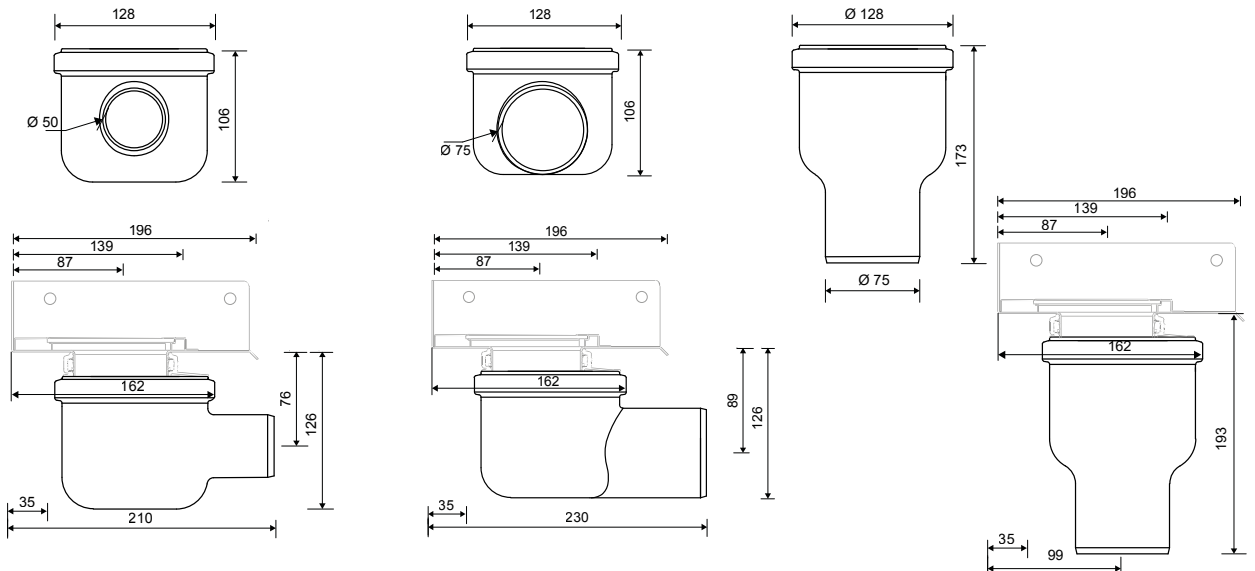


OUTLET UNIT Ø75 |  
2412.0075

Ø 75-mm vertical drain Including removable water trap that can be dismantled for cleaning.

Outlet dimension	Ø 50 mm	Ø 75 mm	Ø 75 mm
Outlet direction	Horizontal	Horizontal	Vertical
Capacity	0.8 l/s	0.9 l/s	1.0 l/s
Water trap	With	With	With
Side inlet	Without	Without	Without
Suitable for use with	Unit 2011.0200	Unit 2011.0200	Unit 2011.0200
Item no.	2411.0050	2411.0075	2412.0075
EAN no.*:	06604	06611	06628

\*57076920xxxxx



**NOTE:** (See measurement specifications for the selected drain unit, p. 60). The specified building height may deviate by 3 mm due to production tolerances.

Only use  
as  
a secondary  
drain



Low installation height

### OUTLET UNIT Ø32 | 2311.0032

Ø 32-mm horizontal drain  
Excluding odour barrier /  
water trap.  
Can be turned in all direc-  
tions, to simplify pipework.

Cannot be used with any  
type of water trap. Can only  
be used as a secondary  
drain.

Ø 32 mm

Horizontal

0.5 l/s

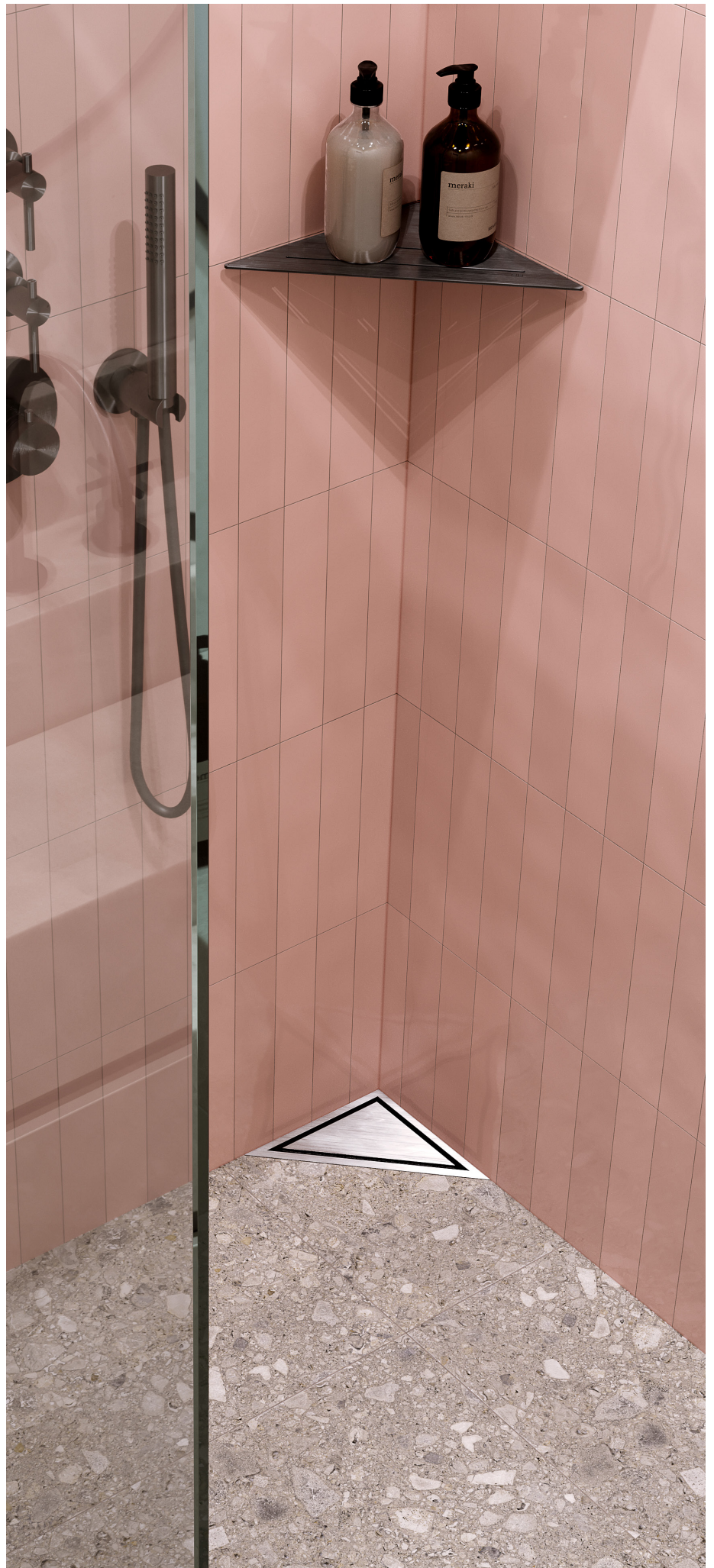
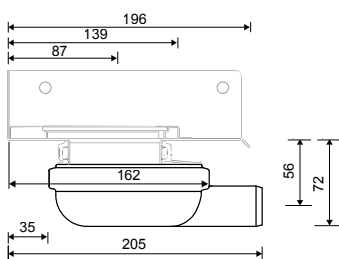
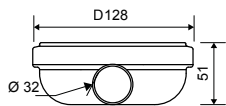
Without

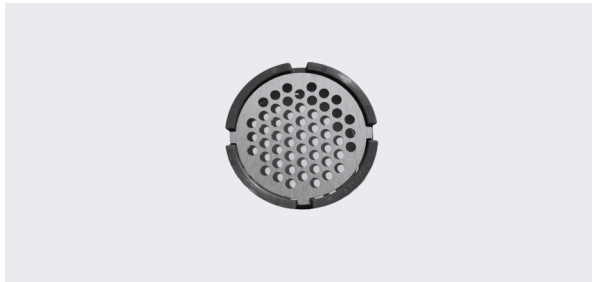
Without

Unit 2011.0200

2311.0032

06581





STRAINER | 2811.0010

Simple and easy day-to-day maintenance of floor drain.  
Prevents the water trap from becoming clogged.



WATER TRAP | 2821.0020

Meets capacity and self-cleaning requirements according to EN 1253 (the pan-European standard for floor drains) and is VA-approved. The water trap can easily be removed from the outlet unit using the mounted hook. Then dismantle and clean the water trap.

Use	Corner drain	Corner drain
Model	2811	2821
Material	Stainless steel	Plastic (PP)
Surface	Brushed	-
Gasket	-	TPE
Item no.	2811.0010	2821.0020
EAN no.*:	06666	06673

\*57076920xxxxx





ODOUR BARRIER | 2821.0030



RISER | 2830.0095

Has an automatic odour barrier instead of a water trap, so that it cannot dry out. The odour barrier can be removed for cleaning. VA-approved.

- **Should not be used in multi-storey buildings**
- The odour barrier may react to over-pressure and under-pressure in the drain system
- Correct ventilation of the drain system is important
- The odour barrier opens and closes with the help of a spring
- A rubber seal ensures that the odour barrier is closed when not in use

Fit between the drain unit and the outlet unit. Can be used to correct the position of an outlet unit that is too low. 1 x Ø 40-mm side inlet (opened as needed).

Not suitable for use with odor barrier 2821.0030.

- **If you install water trap 2821.0020 do not turn the side inlet more than 10 degrees away from the center position. Otherwise you will not be able to lift up the water trap for cleaning.**

Corner drain	Corner drain	Use
2821	H 95 mm	Model
Plastic (PP)	Plastic (PP)	Material
-	-	Surface
TPE	EPDM	Gasket
2821.0030	2830.0095	Item no.
06880	06697	EAN no.*:

\*57076920xxxxx

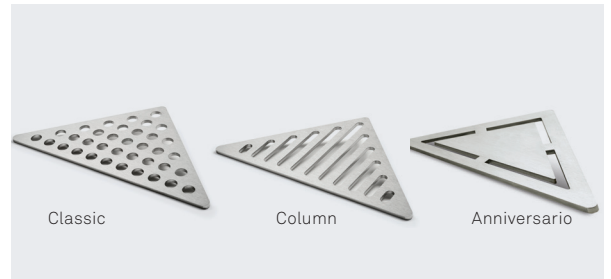
Specifications

Material: 3-mm stainless steel (AISI 304)  
Surface: Brushed



CLASSICLINE FRAME | 2501

Available in 8/10/12 mm heights (depending on the thickness of the floor tile). The rubber insert ensures a snug fit inside the unit. A countersunk bearing ensures that the grating fits perfectly into the frame. The frame is non-optional and has two functions: To support the grating and give a perfectly flush finish with the tiled floor. **NB! Frame height (H) = tile thickness + approximately 2 mm for tile mortar and membrane.**



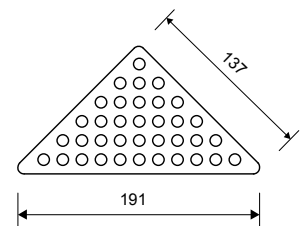
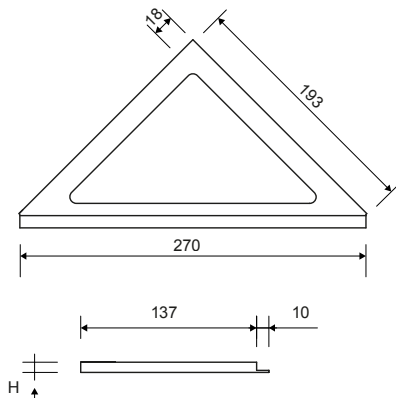
CLASSICLINE GRATING

The grating is placed on a countersunk bearing in the frame, to hold it securely. Only for use with ClassicLine frame.

Use		Corner drain		Corner drain		Use	
Length model		200*		200*		Length model	
*Length (L)		L1: 270/L2: 193 mm		191 mm		*Length (L)	
Item no.	8 mm (H)	2501.0208		2601.0200		Classic	Item no.
EAN no.*:		02606		02651			EAN no.*:
Item no.	10 mm (H)	2501.0210		2602.0200		Column	Item no.
EAN no.*:		02613		02668			EAN no.*:
Item no.	12 mm (H)	2501.0212		2603.0200		Anniversario	Item no.
EAN no.*:		02620		09322			EAN no.*:

\*57076920xxxxx

\*57076920xxxxx

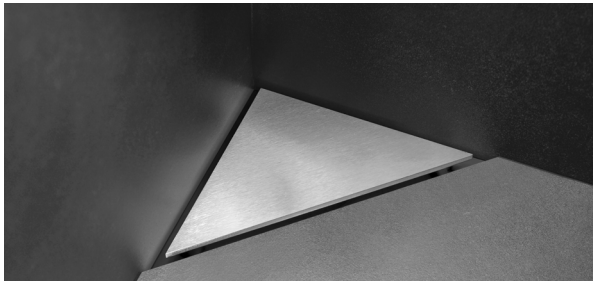


Specifications

Material: 3-mm stainless steel (AISI 304)  
Surface: Brushed

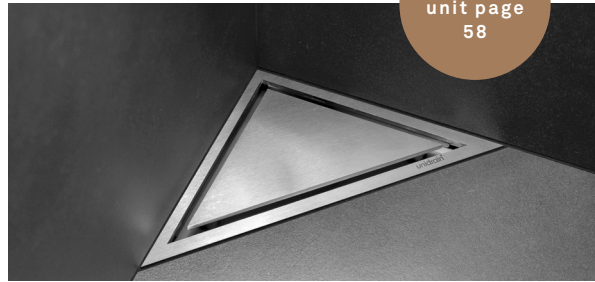
See drain unit page 58

Without frame



HIGHLINE PANEL | 2920

With frame

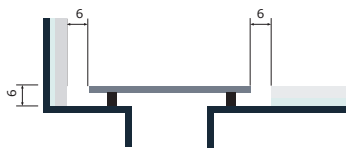


HIGHLINE PANEL | 2911

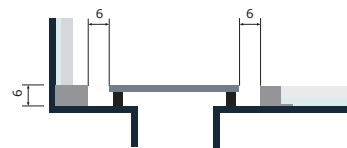
Choose between two models. A panel completely without frame, or the model with panel including frame. Frame available in 10, 12, 15 and 25 mm heights (depending on the thickness of the floor tile).

Corner drain					Use
excluding frame	Panel including frame				Model
200	200	200	200	200	Length model
-	10 mm	12 mm	15 mm	25 mm	Height
2920.0201	2911.0210	2911.0212	2911.0215	2911.0225	Item no.
06772	07038	07045	07052	07069	EAN no.*:

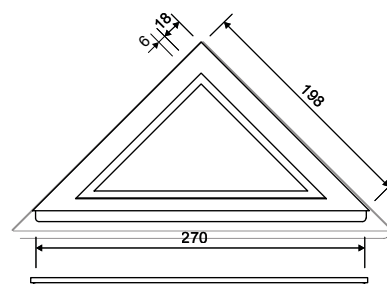
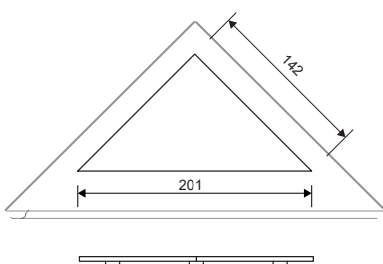
\*57076920xxxxx



Cross-section of the drain unit without frame/with panel in brushed steel.



Cross-section of the drain unit with frame/with panel in brushed steel.







## S Q U A R E

UNIDRAIN HAS ADDED A SQUARE DRAIN AS A SUPPLEMENT TO THE ORIGINAL LINE DRAIN. THE INTRODUCTION OF THE SQUARE DRAIN MAKES IT POSSIBLE TO ACHIEVE A UNIFORM UNIDRAIN EXPRESSION IN EVERY ROOM WHERE THERE IS A NEED FOR A DRAIN.





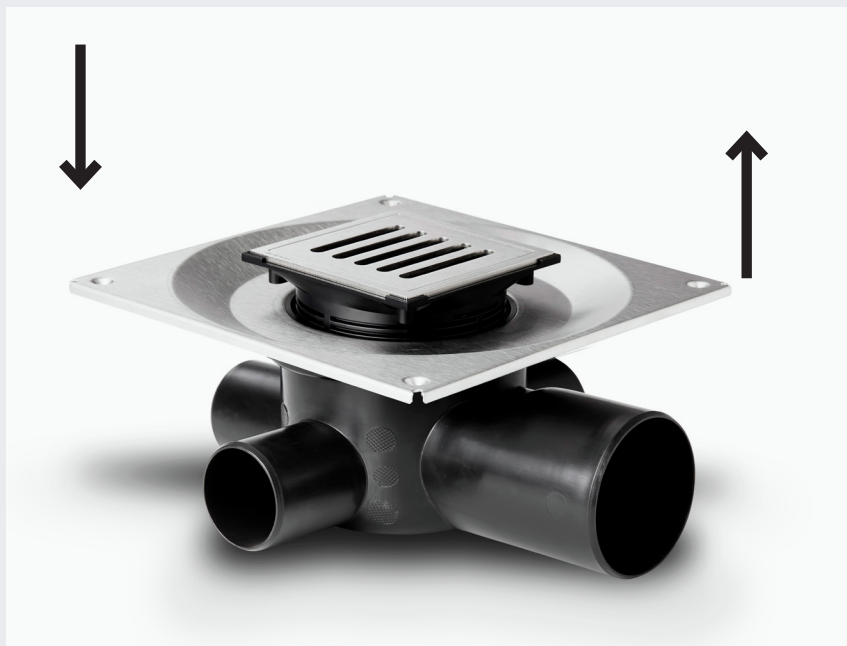
EN 1253  
EN 1253  
(Pan-European standard  
for floor drains)



VA.2.42/19872  
(Technical approval)

## GREAT FLEXIBILITY

- Low installation height (from 109 mm)
- It is possible to adjust the height and tilt the unit
- Customise side inlets  $\varnothing 50$  /  $\varnothing 40$  /  $\varnothing 32$ , adapters included

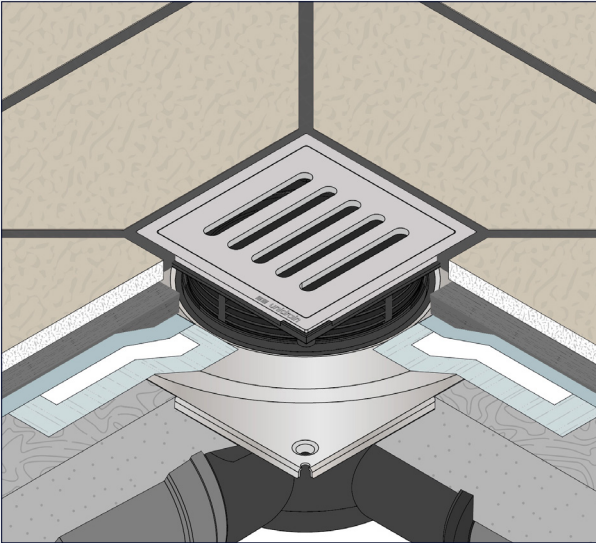




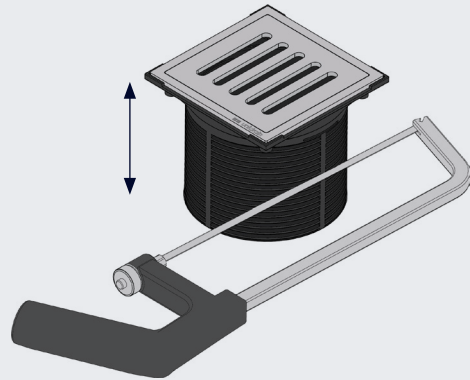
## EASY INSTALLATION

- Grating design matches the ClassicLine design
- Option of a customised tile solution (10x10 cm)

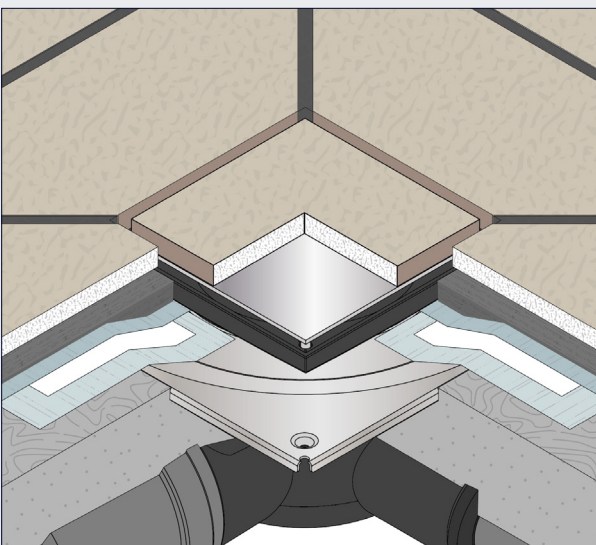
### CLASSICLINE GRATING AND FRAME



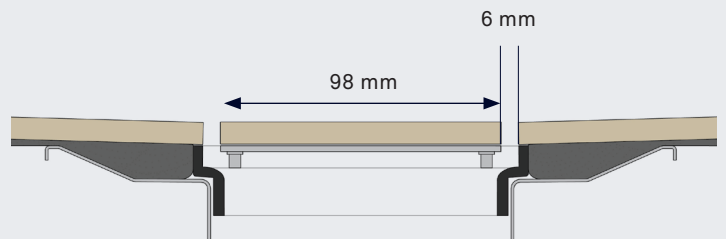
The frame can be truncated when installing. By doing so, you can easily ensure that the grating is level with the tiles.



### HIGHLINE CUSTOM



The Custom base is level with the horizontal flange. This makes it easy to ensure that the tile on the Custom base fits with the floor tiles.





Specifications

Material: 1.0 mm stainless steel (AISI 304),  
 Plastic: PP and ABS, Gaskets: EPDM  
 Surface: Stained  
 Membrane: Liquid membrane  
 Floor construction: Concrete  
 Flooring: Tiles

Launch  
 expected  
 spring 2022



Launch  
 expected  
 spring 2022



**SET 1 | SQUARE CUSTOM 10X10 |  
 Ø75 HORIZONTAL | 8021.0075**

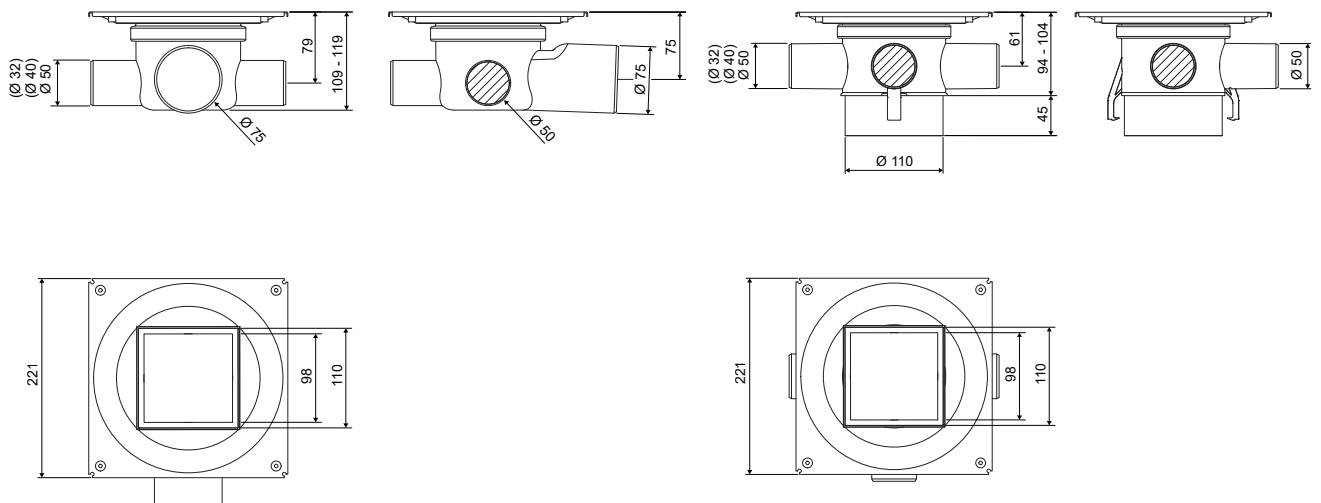
**SET 2 | SQUARE CUSTOM 10X10 |  
 Ø110 VERTICAL | 8022.0110**

Complete square drain set. Package includes HighLine Custom base 10 x 10 cm, steel drain unit, water trap, outlet unit Ø 75 mm horizontal with side inlets, 3 x adapters (2 pcs. for 40 mm pipes and 1 pc. for 32 mm pipe). The height of the unit can be adjusted +/- 10 mm and rotated 360° in the outlet unit. Special adhesive is included to glue your own tile to the Custom base. Hook and cleaning cloth included.

Complete square drain set. Package includes HighLine Custom base 10 x 10 cm, steel drain unit, flow guide, water trap, outlet unit Ø 110 mm horizontal with side inlets, 3 x adapters (2 pcs. for 40 mm pipes and 1 pc. for 32 mm pipe). The height of the unit can be adjusted +/- 10 mm and rotated 360° in the outlet unit. Special adhesive is included to glue your own tile to the custom base. Hook and cleaning cloth included.

Use	Square drain	Square drain
Outlet dimension	Ø 75 mm	Ø 110 mm
Outlet direction	Horizontal	Vertical
Capacity	0,8 / 1,4 l/s	1,4 l/s
Water trap	With	With
Side inlet	With	With
Suitable for use with	75 - mm pipe connection	110-mm pipe connection
Item no.	8021.0075	8022.0110
EAN no.*:	13176	13183

\*57076920xxxxx



Launch expected spring 2022

Launch expected spring 2022



**SET 3 | SQUARE COLUMN 10X10 | Ø75 HORIZONTAL | 8023.0075**

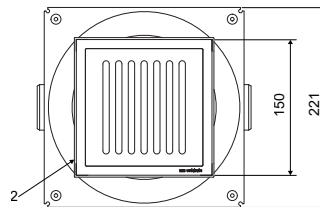
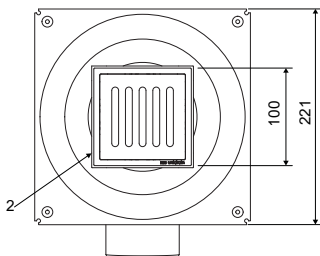
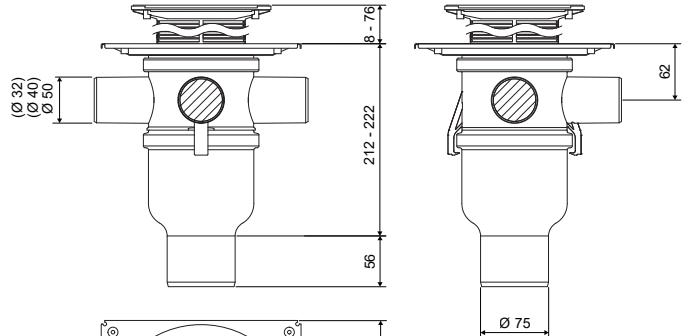
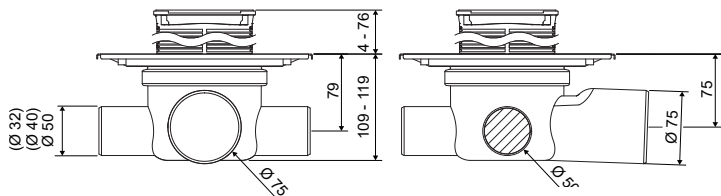
**SET 4 | SQUARE COLUMN 15X15 | Ø75 VERTICAL | 8024.0075**

Complete square drain set. Package includes ClassicLine Column grating and frame 10 x 10 cm, steel drain unit, water trap, outlet unit Ø 75 mm horizontal with side inlets, 3 x adapters (2 pcs. for 40 mm pipes and 1 pc. for 32 mm pipe). The height of the unit can be adjusted +/- 10 mm and rotated 360° in the outlet unit. Truncate the ClassicLine frame to tile level. Minimum tile layer 4 mm. Cleaning cloth included.

Complete square drain set. Package includes ClassicLine Column grating and frame 15 x 15 cm, steel drain unit, flow guide, water trap, outlet unit Ø 75 mm horizontal with side inlets, 3 x adapters (2 pcs. for 40 mm pipes and 1 pc. for 32 mm pipe). The height of the unit can be adjusted +/- 10 mm and rotated 360° in the outlet unit. Truncate the ClassicLine frame to tile level. Minimum tile layer 8 mm. Cleaning cloth included.

Square drain	Square drain	Use
Ø 75 mm	Ø75 mm	Outlet dimension
Horizontal	Vertical	Outlet direction
0,8 / 1,4 l/s	1,4 l/s	Capacity
With	With	Water trap
With	With	Side inlet
75-mm pipe connection	75/110-mm pipe connection	Suitable for use with
8023.0075	8024.0075	Item no.
13190	13206	EAN no.*:

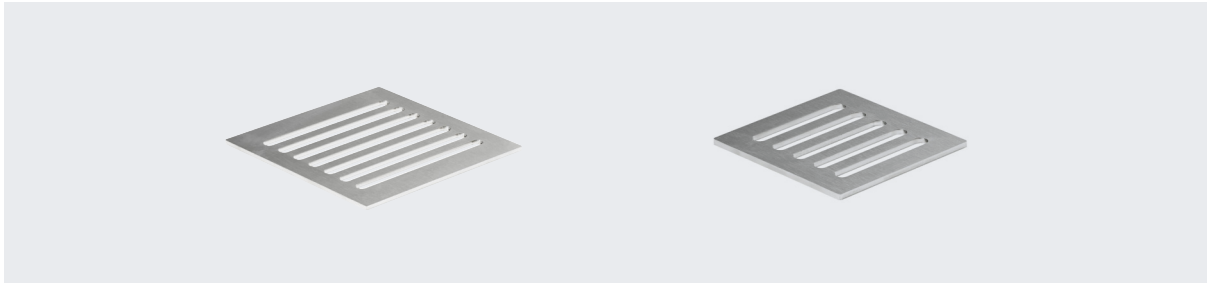
\*57076920xxxxx



## Specifications

Material: 3-mm stainless steel (AISI 304)

Surface: Brushed

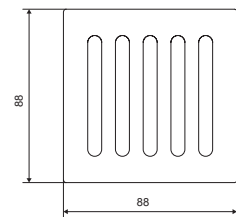
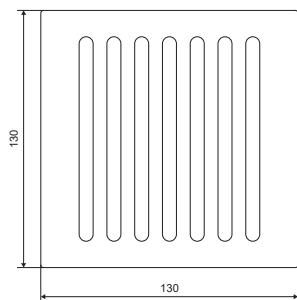
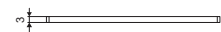


## CLASSICLINE GRATING | 83013

Grating is mounted in the frame.

Length model		15 x 15 cm	10 x 10 cm
*Length (L)		130 x 130 mm	88 x 88 mm
Item no.	Column	8302.0150	8302.0100
EAN no.*		102433	102433

\*57076920xxxxx







**WATER TRAP | 8520.0000**

Removable water trap. Can be dismantled for cleaning.



**FLOWGUIDE | 8521.0000**

For use with article nos. 8022.0110 and 8024.0075.



**FEET | 8522.0000**

Pack with 4 adjustable feet. Contains screws, and 2 sizes of extender nuts for height adjustment.

Accessories	Accessories	Accessories	Use
Plastic (PP)	Plastic (PP)	Plastic / Metal	Material
8520.0000	8521.0000	8522.0000	Item no.
10335	10342	10359	EAN no.*:

\*57076920xxxxx



## SHOWERLINE FOR CUSTOMISED GLASS SOLUTIONS

- CUSTOMISEABLE - ADD ALMOST ANY TYPE AND SIZE OF GLASS  
(HEIGHT LIMITS DEPEND ON MOUNTING SOLUTION, DEPTH BETWEEN 800-900 MM, THICKNESS 8-10 MM)
- EASY INSTALLATION - BUILT-IN SLOPE MAKES INSTALLATION AND CONCRETE POURING EASIER
- SAFE SOLUTION - PATENTED FLANGES ENSURE SAFE AND WATERPROOF SHOWER CABINET

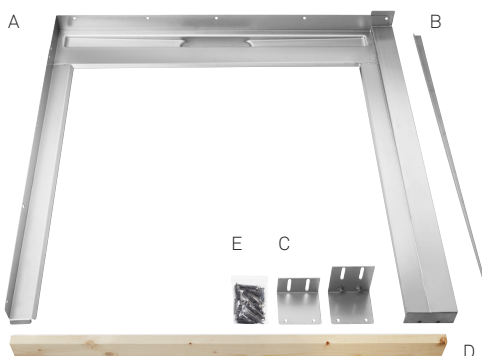
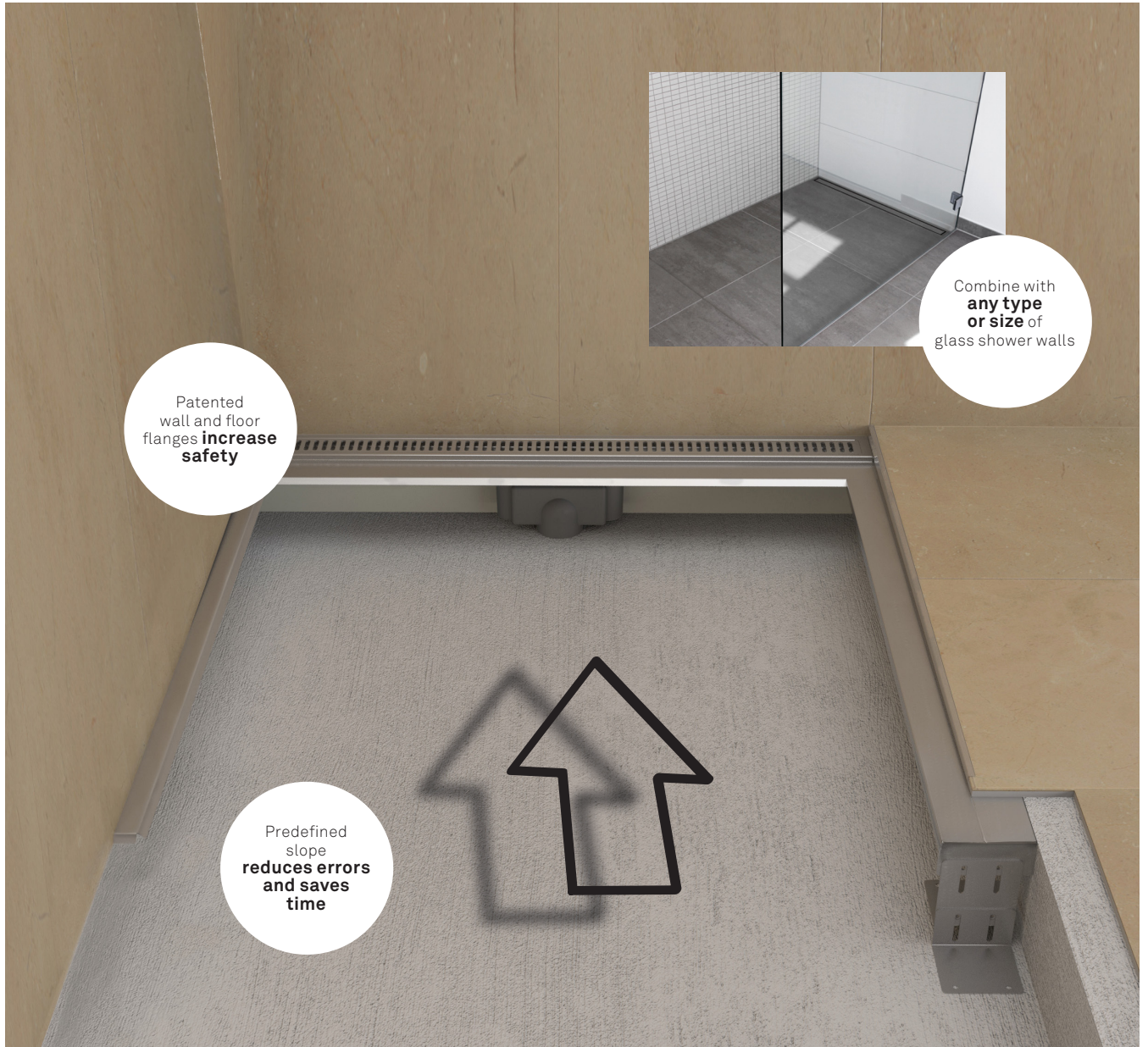






SHOWERLINE - DRAIN UNIT WITH BUILT-IN SLOPE

THE SHOWERLINE DRAIN UNIT IS A FURTHER DEVELOPMENT OF THE ORIGINAL UNIDRAIN® LINE DRAIN. IN THE SHAPE OF A "U", THE DRAIN UNIT DEFINES THE AREA OF THE SHOWER CUBICLE. THE DRAIN UNIT HAS A PREDEFINED, BUILT-IN SLOPE, WHICH MAKES CASTING AND TILE LAYING EASIER. THE EXTENDED WALL FLANGES MAKE THE WETROOM EVEN MORE SECURE AND SAFER TO REPLACE THE JOINTS IN THE WETROOM AREA.

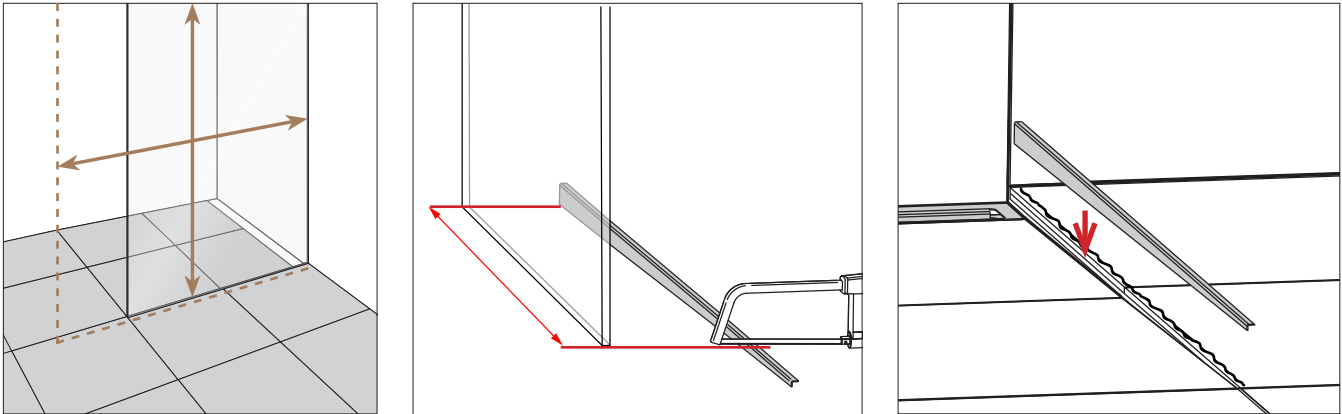


- A ShowerLine
- B Tile profile
- C Angle brackets
- D Surface planer
- E Screws and fittings

## CUSTOMISEABLE - ADD ALMOST ANY TYPE AND SIZE OF GLASS

ShowerLine gives you the opportunity to completely customise the glass wall. You can make the wall extend all the way to the ceiling and choose the depth of the glass from 800 to 900 mm. Consult your local glazier for advice regarding possibilities and the most secure solution.

The shower wall is placed on top of the enclosed floor profile, which also covers the exposed side of the tiles and the slope in the cubicle.



## EASY - SAVES TIME ON BUILDING-IN THE SLOPE

ShowerLine is attached to the wall, and cast into the floor. The drain unit has an integrated 2% slope and makes the casting process easy, preventing the risk of backflows or depressions. When the drain unit is mounted safely, the two extended wall flanges guarantee a correct slope - made quick and easy.



## SAFE SOLUTION - STRENGTHENS WETROOM SEAL

Unidrain's patented flange system makes the ShowerLine drain unit one of the safest solutions in the market. Flanges in both wall and floor ensure a 100% waterproof solution, and the tiles elegantly conceal the strong underlying installation. When the soft joints in the cubicle need to be replaced, the flanges make sure that this can be done without having to worry about damaging the wetroom seal below.

**To finalise the solution, choose frame and grating or panel from our standard ClassicLine or HighLine series.**



### SHOWERLINE DRAIN UNIT, RIGHT-ALIGNED | 5022

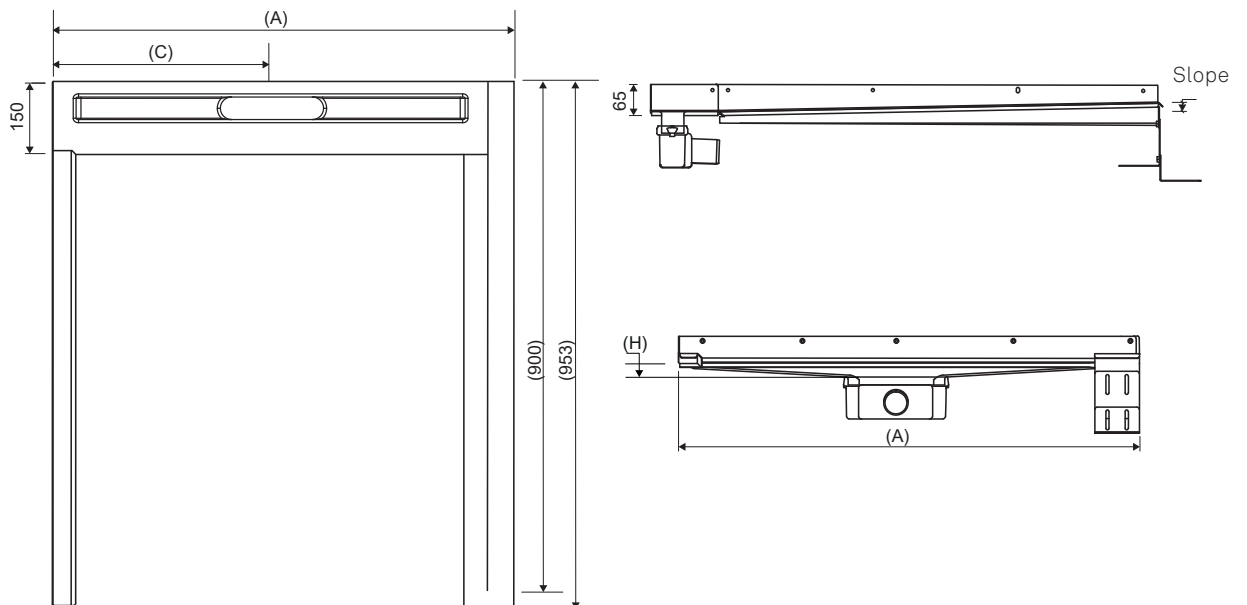
ShowerLine has a built-in slope, so that the floor in the shower cubicle slopes correctly by 2% down towards the floor drain.

For added wetroom safety, the shower cubicle is framed by flanges on three sides.

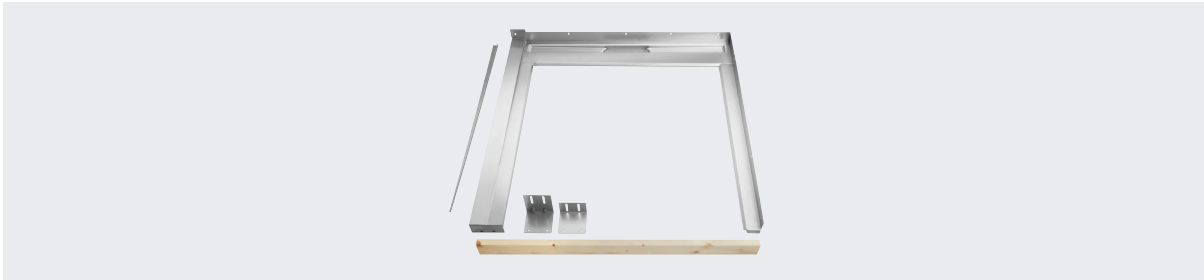
Combine with: outlet unit, frame, grating/panel and shower screen.

ShowerLine Length model	800*	900*
*Built-in dimensions ShowerLine (A)	857 mm	957 mm
Frame (R)	795 mm	895 mm
Slope	15 mm	15 mm
Centre (C)	401 mm	451 mm
Height (H)	18 mm	19 mm
Item no.:	5022.0809	5022.0909
EAN no.*:	12582	12599

\*57076920xxxxx





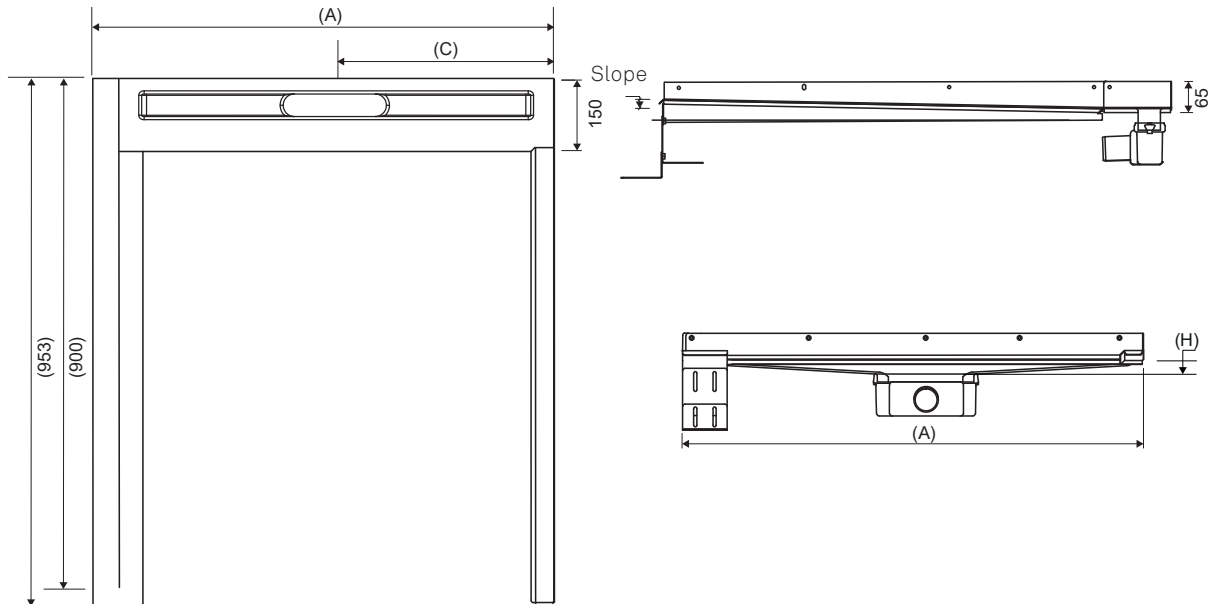


SHOWERLINE DRAIN UNIT, LEFT-ALIGNED | 5022

ShowerLine has a built-in slope, so that the floor in the shower cubicle slopes correctly by 2% down towards the floor drain.  
 For added wetroom safety, the shower cubicle is framed by flanges on three sides.  
 Combine with: outlet unit, frame, grating/panel and shower screen.

800*	900*	ShowerLine Length model
857 mm	957 mm	*Built-in dimensions ShowerLine (A)
795 mm	895 mm	Frame (R)
15 mm	15 mm	Slope
401 mm	451 mm	Centre (C)
18 mm	19 mm	Height (H)
5023.0809	5023.0909	Item no.:
12605	12612	EAN no.*:

\*57076920xxxxx





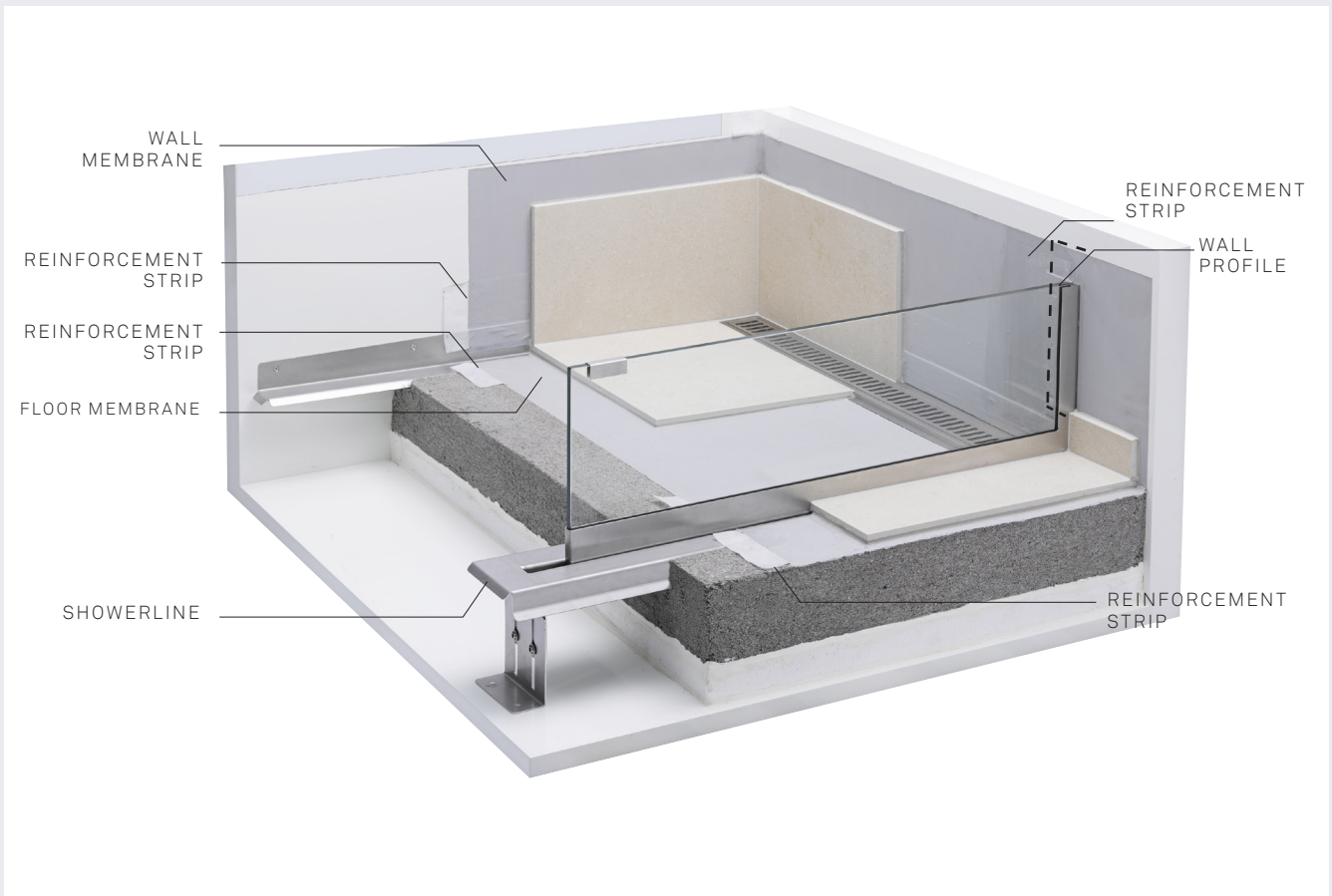
## GLASSLINE

- PATENTED SYSTEM: A COMPLETE SOLUTION FOR YOUR BATHROOM.
- THE DRAIN IS AN INTEGRATED ELEMENT.
- WETROOM-PROOF COVERING OF THE ENTIRE SHOWER CUBICLE.
- RAPID AND EASY INSTALLATION.
- SPECIFIES THE SLOPE IN THE SHOWER CUBICLE.
- NO VISIBLE FITTINGS OR SCREWS.
- EASY TO INSTAL WITH UNDERFLOOR HEATING.
- THE GLASS SURFACE IS TREATED WITH GEWE-CLEAN®, TO KEEP THE GLASS CLEAN AND SPARKLING









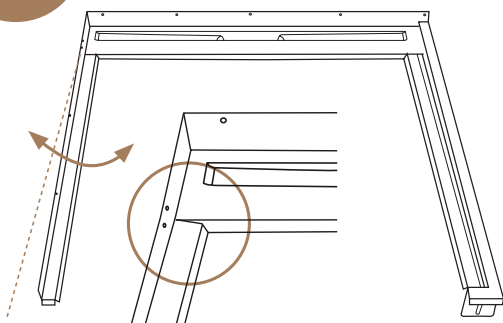
## SHOWERLINE AND GLASSLINE

### SHOWERLINE

ShowerLine is an enhancement of the original drain unit.

Here, two rails are welded to the ends: one to mount on the side wall and the other to mount the shower screen.

**NEW**  
Flexible  
wall flange



### GOOD TO KNOW

- The ShowerLine wall flange is flexible and can be adapted to the corner's angle, if it is not exactly 90 degrees.
- Can be combined with both ClassicLine and HighLine.
- The drain unit is part of the fixed module.
- Can be combined with outlet unit, frame, grating/panel and shower screen from the permanent range.

INSTALLATION PRINCIPLE



Unidrain's patented flange system is also used for installation of the shower screen, which makes GlassLine the so far strongest and most wetroom-proof installation for shower cubicles.

The ShowerLine unit is secured to the wall and embedded in the floor. When the floor is cast, a 2% slope is integrated, to facilitate the casting process, preventing the risk of backflows or depressions.

The accompanying wall profile is screwed to the back wall, and the shower screen is attached to the profile and fitted into the ShowerLine track. Flanges in both wall and floor ensure a 100% waterproof solution, and the tiles elegantly conceal the strong underlying installation. The screen is thus solidly secured to both wall and floor, and cannot work loose over time.



**GOOD TO KNOW**

- The shower screen can be installed either before or after tiles are mounted for an existing ShowerLine solution, and can be replaced if it is damaged.

SHOWERLINE: INCLUDED IN THE PACKAGE



**SHOWERLINE UNIT**

The actual unit has patented floor and wall flanges that ensure a waterproof solution.

**SMOOTHING PROFILE**

The smoothing profile makes it easy and quick to make the slope and pull off the excess concrete.

**TWO-PIECE WALL PROFILE**

The accompanying wall profile is screwed to the back wall, and the shower screen is attached to the wall profile and fitted into the ShowerLine track.

**2 X TEMPLATES**

The pack includes 2 wooden templates to facilitate tile mounting. One template is for the glass screen in the floor, and the other for the wall.



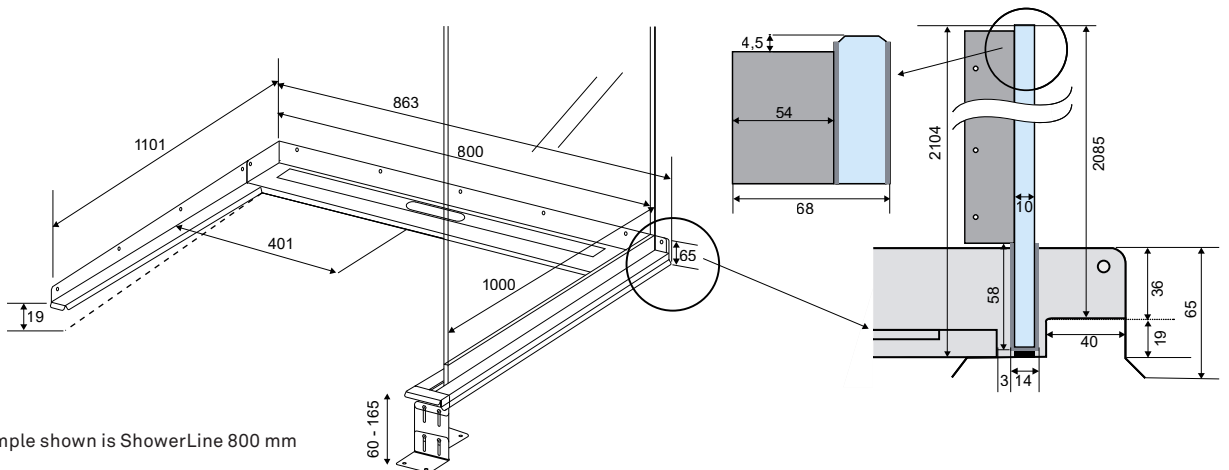
SHOWERLINE UNIT, RIGHT-ALIGNED SHOWER SCREEN | 5002

ShowerLine has a built-in slope, so that the floor in the shower cubicle slopes correctly by 2% down towards the floor drain. For added wetroom safety, the shower cubicle is framed by flanges on three sides. The shower screen is mounted in the track on the fixed module, to eliminate the risk of working loose over time.

Combine with: outlet unit, frame, grating/panel and shower screen.

ShowerLine Length model	800*				900*				1000*		
*Built-in dimensions ShowerLine (A)	863 mm				963 mm				1063 mm		
Shower screen (B)	800 mm	900 mm	1000 mm	1200 mm	800 mm	900 mm	1000 mm	1200 mm	900 mm	1000 mm	1200 mm
*Built-in dimensions ShowerLine (D)	901 mm	1001 mm	1101 mm	1301 mm	901 mm	1001 mm	1101 mm	1301 mm	1001 mm	1101 mm	1301 mm
Frame (R)	795 mm				895 mm				995 mm		
Slope	19 mm				19 mm				19 mm		
Centre (C)	401 mm				451 mm				501 mm		
Height (H)	18 mm				19 mm				20 mm		
Item no.:	5002.0808	5002.0809	5002.0810	5002.0812	5002.0908	5002.0909	5002.0910	5002.0912	5002.1009	5002.1010	5002.1012
EAN no.*:	09520	07205	07212	07229	09544	07236	07243	07250	07267	07274	07281

\*57076920xxxxx



The example shown is ShowerLine 800 mm



**\*Note fitting dimensions!**

**Specifications**

Material: 1.5-mm stainless steel (AISI 304) Surface: Pickled  
 Membrane: Liquid or sheet membrane.  
 Floor structure: Concrete/wood.  
 Flooring: Tiles

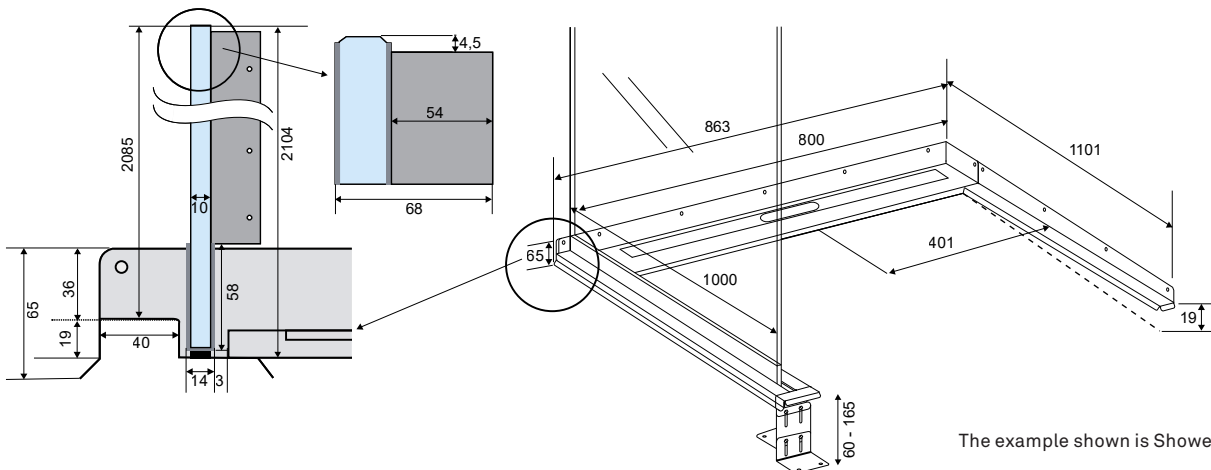


**SHOWERLINE UNIT, LEFT-ALIGNED SHOWER SCREEN | 5003**

ShowerLine has a built-in slope, so that the floor in the shower cubicle slopes correctly by 2% down towards the floor drain. For added wetroom safety, the shower cubicle is framed by flanges on three sides. The shower screen is mounted in the track on the fixed module, to eliminate the risk of working loose over time.  
 Combine with: outlet unit, frame, grating/panel and shower screen.

800*				900*				1000*			ShowerLine Length model
863 mm				963 mm				1063 mm			*Built-in dimensions ShowerLine (A)
800 mm	900 mm	1000 mm	1200 mm	800 mm	900 mm	1000 mm	1200 mm	900 mm	1000 mm	1200 mm	Shower screen (B)
901 mm	1001 mm	1101 mm	1301 mm	901 mm	1001 mm	1101 mm	1301 mm	1001 mm	1101 mm	1301 mm	*Built-in dimensions ShowerLine(D)
795 mm				895 mm				995 mm			Frame (R)
19 mm				19 mm				19 mm			Slope
401 mm				451 mm				501 mm			Centre (C)
18 mm				19 mm				20 mm			Height (H)
5003.0808	5003.0809	5003.0810	5003.0812	5003.0908	5003.0909	5003.0910	5003.0912	5003.1009	5003.1010	5003.1012	Item no.:
09537	07298	07304	07311	09551	07328	07335	07342	07359	07366	07373	EAN no.*:

\*57076920xxxxx



The example shown is ShowerLine 800 mm

**NOTE:** Height (H in table) + height of the selected outlet unit = total building height

Specifications

Material: Stainless steel (AISI 304)  
10-mm tempered float glass

With black frame



Can be right- or left-aligned

SHOWER SCREEN | 5117

10-mm tempered glass  
The surface is treated with GEWE-clean® nanotechnology, so that the shower screen can be right- or left-aligned.  
No visible screws and fittings in the finished result. The solution fits tile thicknesses up to 15 mm for wall tiles and up to 20 mm for floor tiles

Transparent



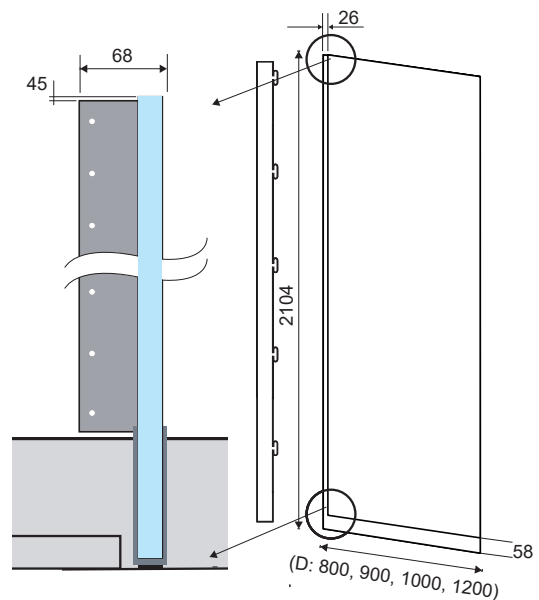
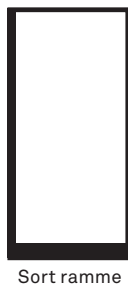
Can be right- or left-aligned

SHOWER SCREEN | 5100

10-mm tempered glass  
The surface is treated with GEWE-clean® nanotechnology, so that the shower screen can be right- or left-aligned.  
No visible screws and fittings in the finished result.

Design	Design: with black frame			Design: Transparent			
	800*	900*	1000*	800*	900*	1000*	1200*
Model	800*	900*	1000*	800*	900*	1000*	1200*
Depth (D)	800mm	900mm	1000mm	800 mm	900 mm	1000 mm	1200 mm
Height	2104 mm			2104 mm			
Weight including packaging	44 kg	48 kg	55 kg	50 kg	55 kg	65 kg	79.5 kg
Item no.	5117.0800	5117.0900	5117.1000	5100.0800	5100.0900	5100.1000	5100.1200
EAN no.*:	12995	13008	13015	09568	07410	07427	07434

\*57076920xxxxx









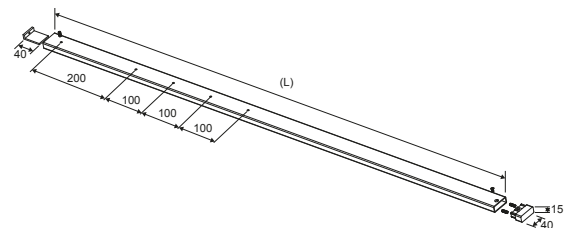


### TOP RAIL | 5310

To finish the shower screen. A top rail is recommended to stabilise shower screens measuring 1200 mm. The top rail is available in one length. Cut to fit the individual shower cubicle.

Suitable for use with	Right-aligned shower screens	Left-aligned shower screens
Material	Brushed steel	Brushed steel
Fits length model	700 - 1200	700 - 1200
Width	40 mm	40 mm
Height	15 mm	15 mm
Item no.	5310.1202	5310.1203
EAN no.*	08158	08295

\*57076920xxxxx



\*Note fitting dimensions!

Specifications

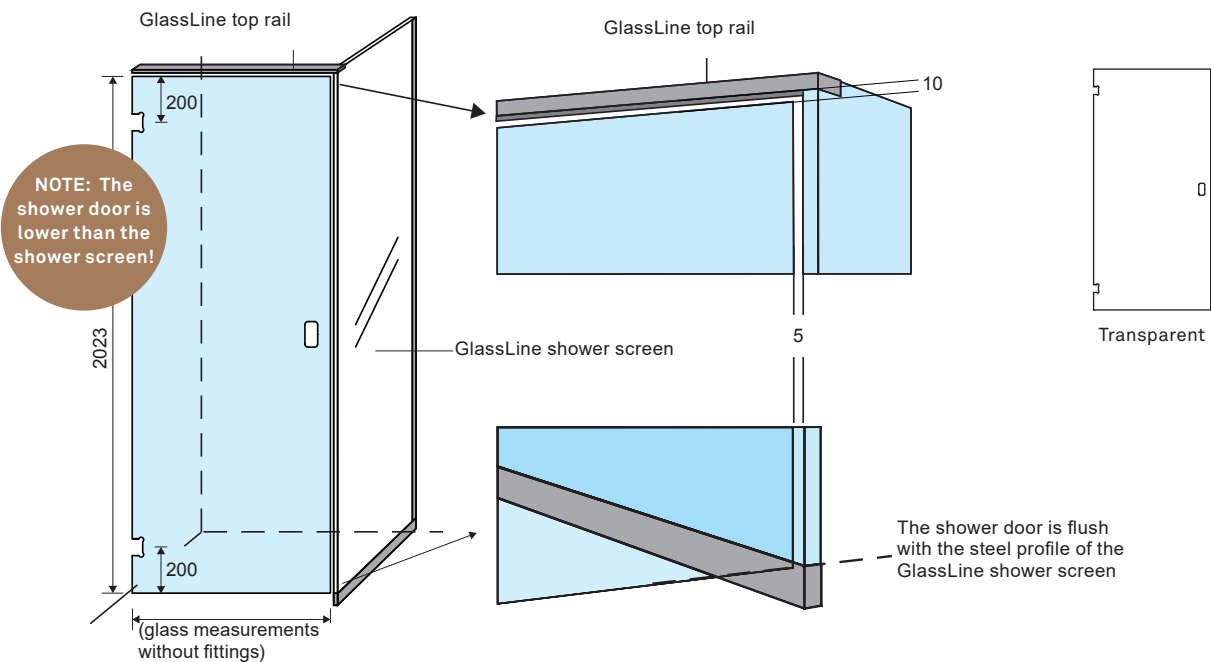
Material: 8-mm tempered glass, stainless steel



SHOWER DOOR | 5400

The shower door is adapted to the height and width of the Unidrain GlassLine shower screen. Must be combined with a Unidrain top rail (p. 91). Tile thickness including tile mortar: 8-12 mm. The surface is treated with GEWE-clean® nanotechnology on the interior side of the glass. Supplied with 2 hinges and sealing strip.

Transparent			Design
800*	900*	1000*	Model
776 mm	876 mm	976 mm	*width
			Height
			2023 mm
5400.0800	5400.0900	5400.1000	Item no.
08479	08486	08462	EAN no.*:
			*57076920xxxx







## MATLINE

- STYLISH DANISH DESIGN 95
- MINIMISES DIRT IN THE HOME
- EASY TO CLEAN
- CONNECTS DIRECTLY TO DRAIN
- FLEXIBLE SYSTEM, WITH HEIGHT ADJUSTMENT TO THE THICKNESS OF THE TILES
- UV- AND CHEMICAL-RESISTANT NYLON BRUSHES THAT LAST FOR MANY YEARS OF NORMAL USE
- INTELLIGENT BRUSHES THAT STRAIGHTEN THEMSELVES IMMEDIATELY AFTER USE









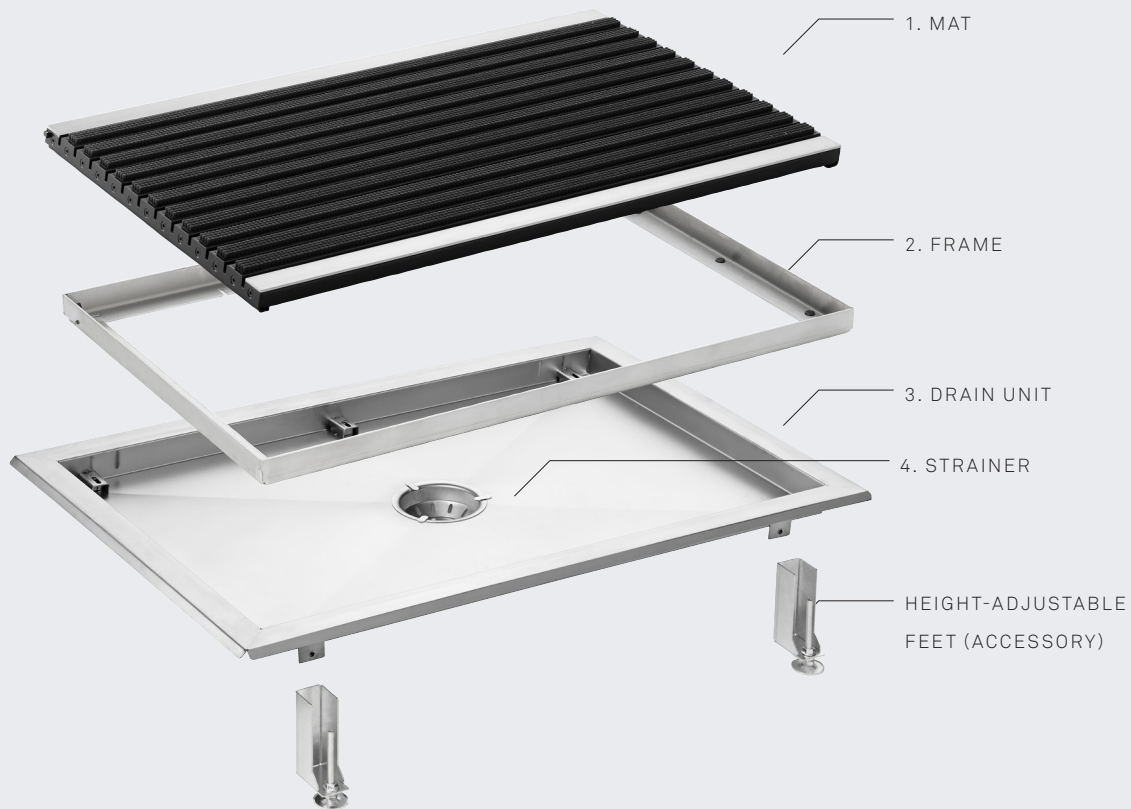


# MATLINE - AN INTELLIGENT CHOICE

MatLine is useful and relevant in every building.

The intelligent mat system consists of: mat, frame, strainer and drain unit. It also comes with a lifting hook to make the mat easier to handle. When the mat is raised, it locks automatically into the raised position. The mat sits flush with the surrounding floor and is surrounded by a slim metal frame in brushed stainless steel. There is a strainer under the mat to catch sand and gravel. Below that is the unit, which is cast into the floor. Height-adjustable feet can be purchased, to facilitate the casting process.

## 4 PARTS







The Nordic climate is a challenge, with snow, slush, rain and mud for much of the year. Active adults and children can make it difficult to keep a family home clean and presentable. Unidrain's MatLine is a functional and elegant solution to day-to-day problems. The intelligent mat system is connected to the existing pipe system, to drain off excess water and dirt.



**\*Note  
installation  
dimensions!**

**Specifications**

Material: Stainless steel (AISI 304).  
Surface: Brushed.  
Insert: Synthetic



**MATLINE COMPLETE | 6001.0800**



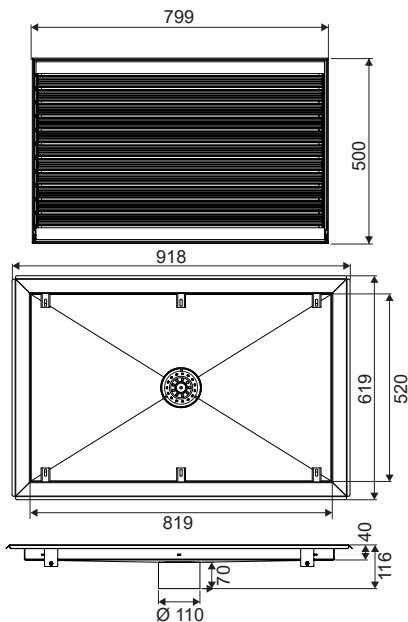
**HEIGHT-ADJUSTABLE FEET | 6006.0000**

The complete MatLine includes drain unit, frame, strainer and mat with nylon brushes fitted. A lifting hook is also included. A complete MatLine set comes in two separate packs, corresponding to the construction process, in which the drain unit is installed first, followed by the frame and mat.

A pack of 4 height-adjustable feet is available as an optional extra. The feet are used during the installation process when required.

Mat	Accessory MatLine	Use
800	-	Length model
500 x 800 mm	-	Dimension/Frame
<b>619 x 918 mm</b>	<b>-</b>	<b>Dimension/Unit</b>
Tile thickness: 8-25 mm	80 - 150 mm	Height
6001.0800	6006.0000	Item no.
09025	09315	EAN no.*:

\*57076920xxxxx





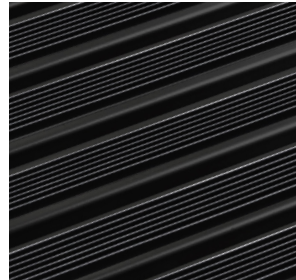
**STRAINER |  
6005.0000**

The strainer is made from stainless steel and is placed in the unit above the drain.



**NYLON BRUSH -  
SET OF 11 | 6001.0801**

The nylon brushes will need replacing after several years of wear. The original nylon brushes are easy to replace and individual replacements are available.



**RUBBER PROFILE -  
SET OF 11 | 6002.0801**

The original nylon brushes are easy to change and loose rubber profile edges are available.



**STEEL PANEL |  
6003.0800**

The steel panel on MatLine can be easily replaced.

Use	Spare part	Spare part	Spare part	Spare part
Length model	800	800	800	800
Dimensions	Ø 110 mm	L: 774	L: 774	780 x 32 x 25
Material	Stainless steel (AISI 304)	Nylon (PA)/Polypropylene (PP)	EPDM	Stainless steel (AISI 304)
Item no.	6005.0000	6001.0801	6002.0801	6003.0800
EAN no.*:	09087	09049	09056	09063

\*57076920xxxxx



Specifications

Material: Plastic (PP).  
Gasket: EPDM



OUTLET UNIT Ø 50 |  
2511.0050

Ø 50-mm horizontal drain.  
Can be turned in all directions, to simplify pipework.



OUTLET UNIT Ø 75 |  
2511.0075

Ø 75-mm horizontal drain.  
Can be turned in all directions, to simplify pipework.



OUTLET UNIT Ø 75 |  
2512.0075

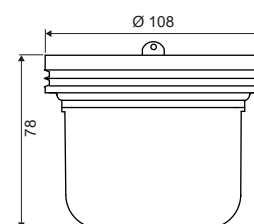
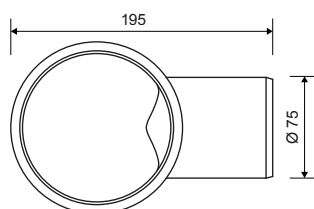
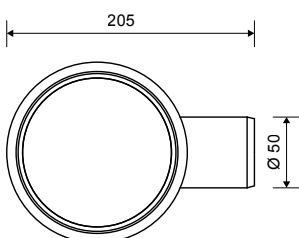
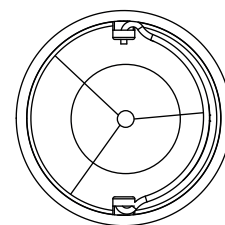
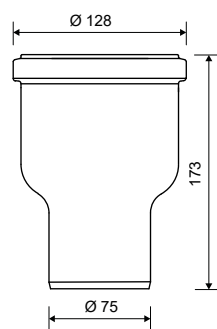
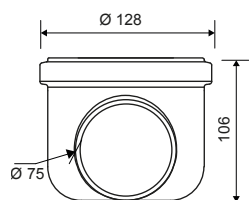
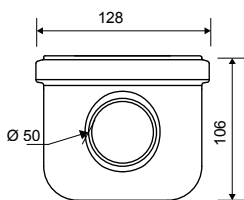
Ø 75-mm vertical drain



ODOUR BARRIER |  
3820.0010

The odour barrier can be removed for cleaning.

Square drain	Matline drain	Matline drain	Matline	Use
Ø 50 mm	Ø 75 mm	Ø 75 mm	Ø 75 mm	Outlet dimension
Horizontal	Horizontal	Vertical	Vertical	Outlet direction
0.8 l/s	without	without	-	Water trap
Without	Without	Without	-	Side inlet
6001.0800	6001.0800	6001.0800	2511.0075, 2512.0075	Suitable for use with
2511.0050	2511.0075	2512.0075	3820.0010	Item no.
10953	09483	09490	09506	EAN no.*:



PRODUCT  
LAUNCH  
autumn 2022



≡≡≡ RE | FRAME  
collection by unidrain

REFRAME COLLECTION IS A SERIES OF BATHROOM ACCESSORIES WITH ROOTS IN DANISH DESIGN AND QUALITY. THE MINIMALIST RECTANGULAR DESIGN IS IN HARMONY WITH THE ORIGINAL UNIDRAIN DESIGN AND ENABLES YOU TO MATCH ALL METAL DETAILS IN THE ROOM. FAMILIAR PRODUCTS HAVE BEEN REVISITED AND DESIGNED WITH INNOVATIVE FEATURES TO REFRAME EXISTING PRODUCTS.









PRODUCT  
LAUNCH  
autumn 2022





TOWEL BAR

Towel rail with unique bracket structure, to ensure that the rail is firmly mounted on the wall. Screws are included.



SOAP DISPENSER

The soap dispenser has a stable non-slip base. The design of the pump top ensures liquid soap is released wherever the pressure is applied. Oblique soap dispenser. The entire pump top can be removed to allow for cleaning and refilling. Instructions are included. Content: 200 ml.

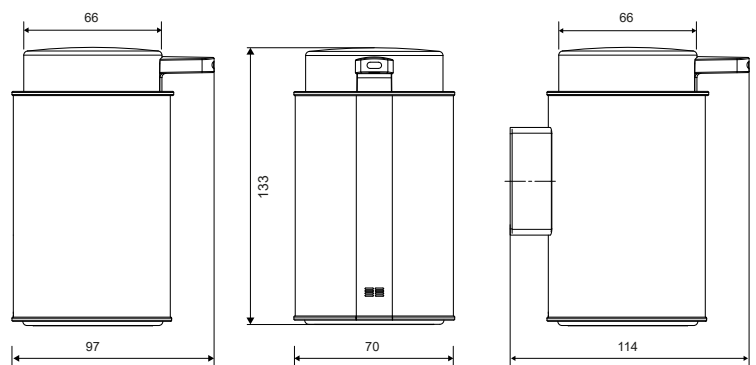
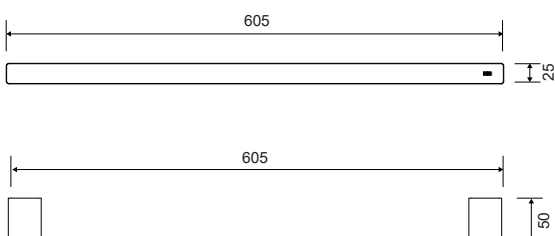


SOAP DISPENSER WALL MOUNTED

The soap dispenser has a sturdy and elegant wall mounting. The design of the pump top ensures liquid soap is released wherever the pressure is applied. Oblique soap dispenser. The entire pump top can be removed to allow for cleaning and refilling. Instructions, screws and dowels are included. Content: 200 ml.

Use	Accessories	Accessories	Accessories
Dimensions	H 25 x D 50 x L 605 mm	H 13,3 x D 7,7 x L 11,4 mm	H 13,3 x D 9,7 x L 11,4 mm
Material	Stainless steel	Stainless steel, plastic	Stainless steel, plastic
Item no.	7080	7130	7140
EAN no.	10823	13053	13107
Item no.	7081	7131	7141
EAN no.	10830	13060	13114
Item no.	7082	7132	7142
EAN no.	10847	13077	13121
Item no.	7083	7133	7143
EAN no.	10854	13084	13138
Item no.	7084	7134	7144
EAN no.	10861	13091	13145

\*57076920xxxxx







**TOWEL HOOKS (X 2)**

The towel hooks can be mounted with screws with or without the back plates (optional purchase). Screws are included.



**SPARE TOILET PAPER HOLDER**

With rubber element to keep the toilet roll perfectly centred at all times, whatever the internal diameter of the roll. Screws are included.

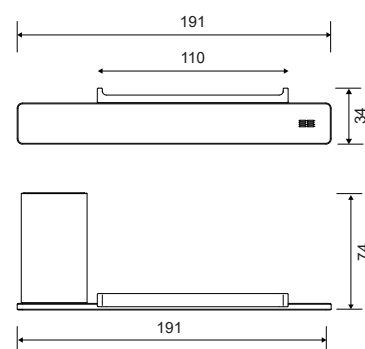
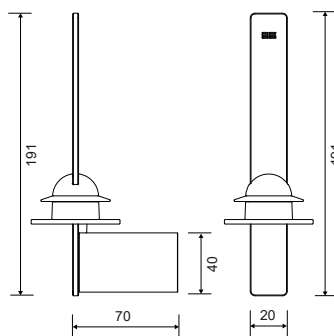
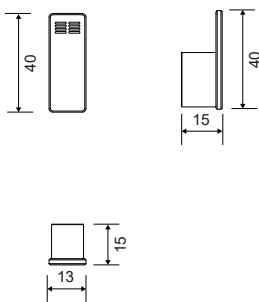


**TOILET PAPER HOLDER**

Reversible. Has a removable, magnetic element that keeps the toilet roll in place. Screws are included.

Accessories	Accessories	Accessories	Use
H 40 x D 15 x L 13 mm	H 191 x D 70 x L 20 x Ø 60 mm	H 25 x D 74 x L 191 mm	Dimensions
Stainless steel	Stainless steel, plastic, magnets	Stainless steel, plastic, magnets	Material
7070	7060	7050	Brushed steel
10779	10724	10670	
7071	7061	7051	Hand-polished steel
10786	10731	10687	
7072	7062	7052	Brass
10793	10748	10694	
7073	7063	7053	Copper
10809	10755	10700	
7074	7064	7054	Black
10816	10762	10717	

\*57076920xxxxx





**TOILET BRUSH,  
FLOOR-STANDING**

The toilet brush is designed with many features to optimise hygiene. Both the inner container and the brush head can be replaced.



**TOILET BRUSH,  
WALL-MOUNTED**

The toilet brush is designed with many features to optimise hygiene. Both the inner container and the brush head can be replaced.

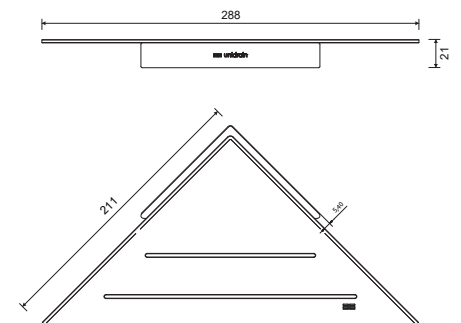
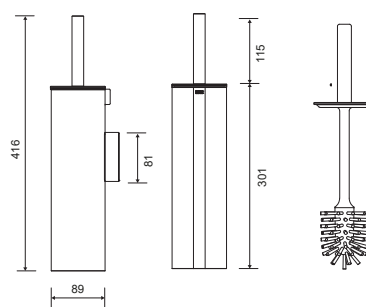
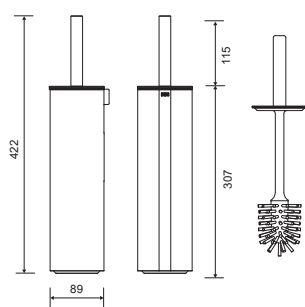


**SOAP SHELF  
CORNER**

Shelf of reinforced steel plate. Thin grooves lead the water away, and an anti-slip barrier keeps things in place. Smart bracket solution allows the shelf to be adjusted to corners that are not angled at exactly 90°. Screws are included.

Use	Accessories	Accessories	Accessories
Dimensions	H 422 x Ø 89 mm	H 416 x Ø 89 mm	L 288 x 211 x 211 mm
Material	Stainless steel, plastic	Stainless steel, plastic	Stainless steel, plastic
Item no.	7040	7045	7210
EAN no.	10571	10625	12537
Item no.	7041	7046	7211
EAN no.	10588	10632	12544
Item no.	7042	7047	7212
EAN no.	10595	10649	12551
Item no.	7043	7048	7213
EAN no.	10601	10656	12568
Item no.	7044	7049	7214
EAN no.	10618	10663	12575

\*57076920xxxxx





SOAP SHELF

Shelf made of a strengthened steel plate. Thin grooves lead the water away, and an anti-slip barrier keeps things in place. The shower wiper can be purchased in addition to the shelf, and placed under the shelf on the magnetic bracket. Screws are included.



SOAP SHELF AND SHOWER WIPER

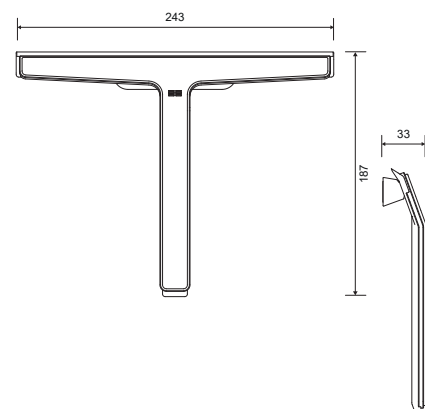
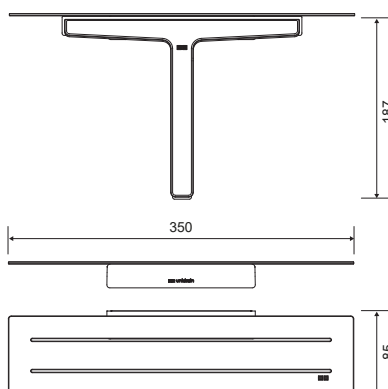
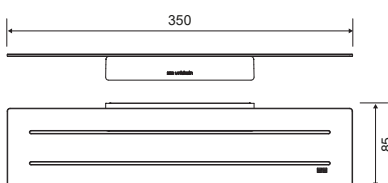
Shelf with integrated magnetic shower wiper. The shelf is made of a strengthened steel plate. Thin grooves lead the water away, and an anti-slip barrier keeps things in place. Concealed magnets give the shower wiper a smart and discrete position. Screws are included.



SHOWER WIPER

Shower wiper with separate magnetic bracket. This gives a strong structure that distributes the pressure evenly across the width of the wiper blade. The built-in "bumpers" on the sides and ends protect tiles and walls from scratches.

	Accessories	Accessories	Accessories
	L 350 x D 85 x H 2,5/28 mm	L 350 x D 85 x H 187 mm	B 243 x L 187 mm
	Stainless steel, silicone rubber, magnets	Stainless steel, silicone rubber, magnets	Stainless steel, silicone rubber, magnets
Brushed steel	7020	7010	7030
	10472	10427	10526
Hand-polished steel	7021	7011	7031
	10489	10434	10533
Brass	7022	7012	7032
	10496	10441	10540
Copper	7023	7013	7033
	10502	10458	10557
Black	7024	7014	7034
	10519	10465	10564

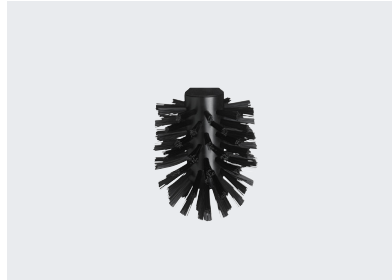






INNER CONTAINER FOR  
TOILET BRUSH (SPARE)

Replaceable inner  
container.



BRUSH HEAD (SPARE)

Replaceable brush head.

Spare part	Spare part	Use
H 270 x Ø 89 mm	L 89 x Ø 68 mm	Dimensions
Plastic, silicone rubber	Plastic, nylon	Material
7126	7127	Item no.
10939	10946	EAN no.

















\*57076920xxxxx



## LINE UNITS: 1001, 1002, 1003 & 1004





### INSTALLATION HEIGHTS



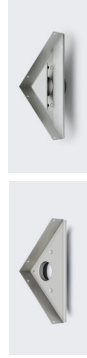
Outlet unit	Item nr.	Ø	Direction	300	600	700	800	900	1000	1200
	1311.0032	32 mm	Horizontal	64	68	69	70	71	72	74
	1312.0050	50 mm	Vertical	108	112	113	114	115	116	118
	1312.0075	75 mm	Lodret	108	112	113	114	115	116	118
	1312.0075 + 1850.0075	75 mm	Vertical	201	205	206	207	208	209	211
	1418.0050	50 mm	Horizontal	81	85	86	87	88	89	91
	1411.0050	50 mm	Horizontal	98	102	103	104	105	106	108
	1416.0050	50 mm	Horizontal	98	102	103	104	105	106	108
	1415.0050	50 mm	Horizontal	98	102	103	104	105	106	108
	1411.0075	75 mm	Horizontal	98	102	103	104	105	106	108
	1421.0075	75 mm	Horizontal	116	120	121	122	123	124	126
	1412.0075	75 mm	Vertical	159	163	164	165	166	167	169
	1413.0075	75 mm	Horizontal	190	194	195	196	197	198	200
	1433.0075	75 mm	Horizontal	159	163	164	165	166	167	169
	1414.0075	75 mm	Vertical	255	259	260	261	262	263	265
	1443.0050	50 mm	Horizontal	146	150	151	152	153	154	156
	1443.0075	75 mm	Horizontal	146	150	151	152	153	154	156







## LENGTH OF LINE UNITS: 1001, 1002, 1003 & 1004





	Model	300	600	700	800	900	1000	1200
	1001	-	-	702	802	902	1002	1202
	1002	-	-	757	857	957	1057	1257
	1003	-	-	757	857	957	1057	1257
	1004	432	712	812	912	1012	1112	1312

## CORNER UNIT: 2011 INSTALLATION HEIGHTS



Outlet unit	Item nr.	Ø	RDirection	mm	mm
	2311.0032	32 mm	Vandret	73	83
	2411.0050	50 mm	Vandret	126	136
	2411.0075	75 mm	Vandret	126	136
	2412.0075	75 mm	Lodret	193	203

## KVADRAT UNIT INSTALLATION HEIGHTS

	Model	mm
	8021.0075	109
	8022.0110	94 (without insert)
	8023.0075	109
	8024.0075	212 (without insert)

All measurements are given in mm.

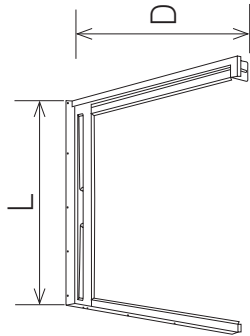
SHOWERLINE: 5002 & 5003



INSTALLATION HEIGHTS

Outlet unit	Item nr.	∅	Direction	800	900	1000
	1417.0050	50 mm	Horizontal	70	71	72
	1312.0050	50 mm	Vertical	114	115	116
	1312.0075	75 mm	Vertical	114	115	116
	1312.0075 + 1850.0075	75 mm	Vertical	207	208	209
	1418.0050	50 mm	Horizontal	87	88	89
	1411.0050	50 mm	Horizontal	104	105	106
	1416.0050	50 mm	Horizontal	104	105	106
	1415.0050	50 mm	Horizontal	104	105	106
	1411.0075	75 mm	Horizontal	104	105	106
	1421.0075	75 mm	Horizontal	122	123	124
	1412.0075	75 mm	Vertical	165	166	167
	1413.0075	75 mm	Horizontal	196	197	198
	1433.0075	75 mm	Horizontal	165	166	167
	1414.0075	75 mm	Vertical	261	262	263
	1443.0050	50 mm	Horizontal	152	153	154
	1443.0075	75 mm	Vertical	152	153	154

DIMENSIONS



Shower screen (D)	Lengthmodel (L)	
	800	900
800	L: 863 / D: 902	L: 963 / D: 902
900	L: 863 / D: 1002	L: 963 / D: 1002
1000	L: 863 / D: 1102	L: 963 / D: 1102
1200	L: 863 / D: 1302	L: 963 / D: 1302
		Lengthmodel (L) 1000
		-

All measurements are given in mm.





