







"With MatLine, a classic is born.

Design and functionality combine to form a synthesis,  
and the mat design becomes an integral part of the  
room."

Kenneth Waaben, Designer







## TECHNICAL DETAILS

MatLine is useful and relevant in every building. The intelligent mat system consists of four parts: A mat, frame, strainer and fitting. A hook is supplied to make raising the mat easier.

The mat is flush with the surrounding floor and surrounded by a slim steel frame in brushed stainless steel. There is a strainer under the mat to catch sand and gravel.

Below that is the fitting, which is cast into the floor. Height-adjustable supports are available to order to facilitate the casting process.



A: Mat  
B: Frame  
C: Strainer  
D: Fitting

E: Height-adjustable supports  
(accessory)







To raise the mat, use the hook (supplied).  
When the mat is raised, it locks automatically into the raised position.



#### EASY TO CLEAN

MatLine helps to keep homes free of dirt. The dirt falls into the gap between the brush panels and then down into the underlying fitting. The mat looks less dirty and the dirt can easily be vacuumed up afterwards. Melted snow and slush and water used to wash the floor runs directly into the drain under the mat.





MatLine can be installed in the floor of your hall or utility room. The discrete contemporary design makes MatLine the perfect choice for any type of modern building.

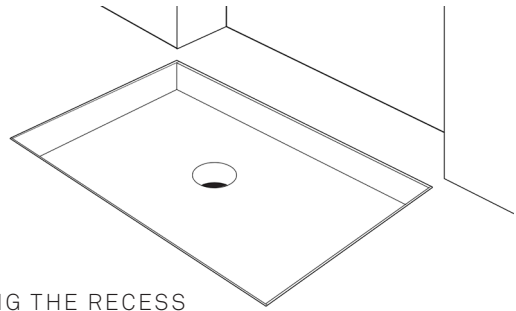
## MATLINE FOR ALL STRUCTURES

MatLine can be installed in any type of house or floor design including heavy concrete structures and light structures with timber beams. The mat efficiently removes dirt and mud, and diverts water. For all structures, the materials and building methods used must be appropriate and approved.

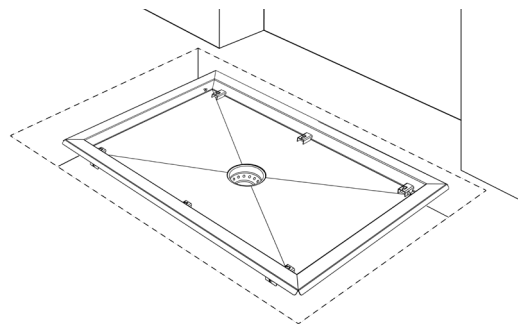


## INSTALLATION

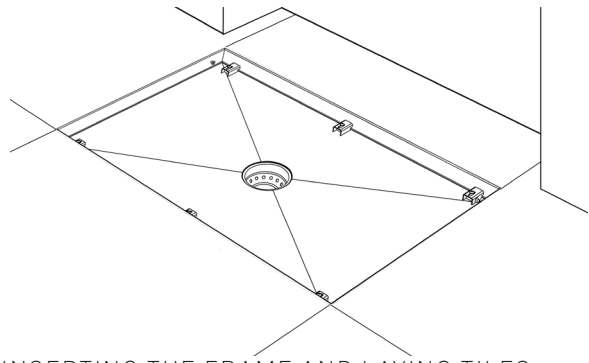
MatLine can be installed in any house type and floor design.



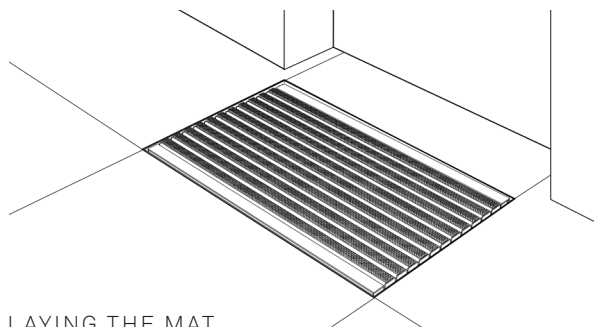
1 MAKING THE RECESS



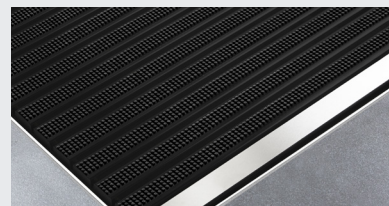
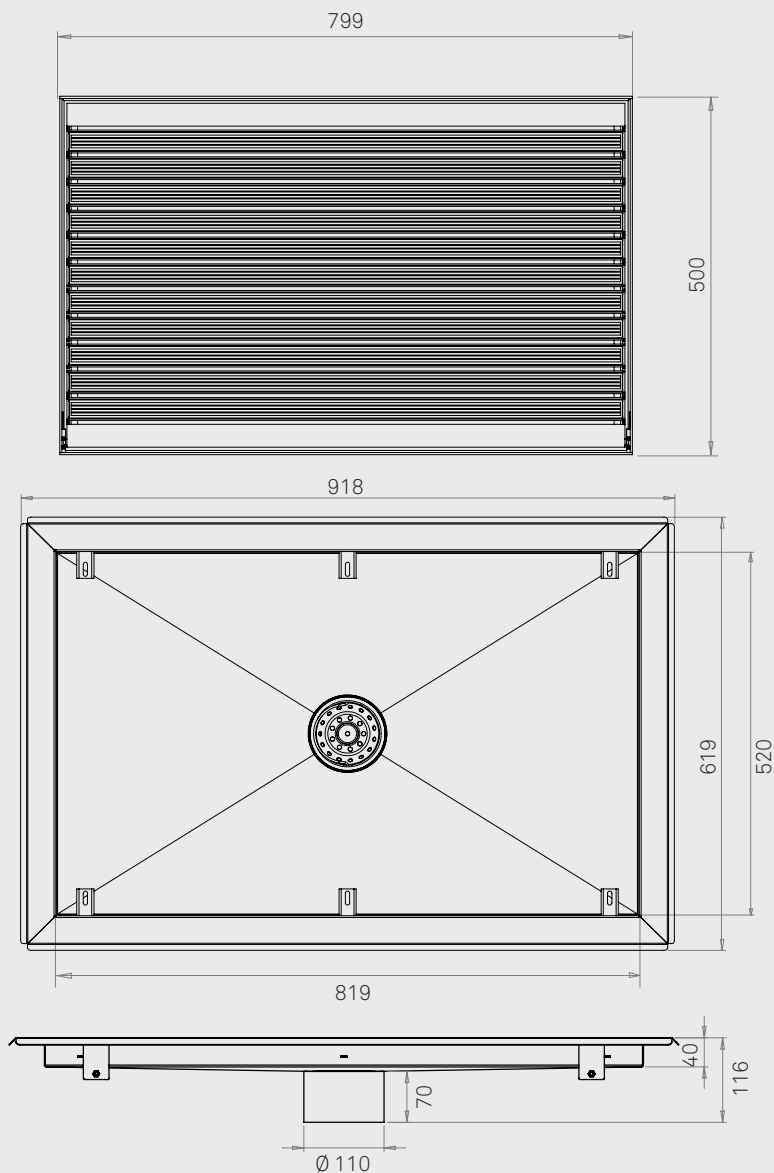
2 INSERTING THE FITTING AND CASTING



3 INSERTING THE FRAME AND LAYING TILES



4 LAYING THE MAT



Nylon brushes



Rubber profile

#### MATLINE COMPLETE

Beskrivelse	Length mode	Dimension	Item no.	EAN no.
MatLine complete	800	500 x 800 mm	6001.0800	5707692009025

#### MATLINE ACCESSORIES

Beskrivelse	Length mode	Dimension	Item no.	EAN no.
Nylon brushes – set of 11	800	775 mm	6001.0801	5707692009049
Steel pane	800	780 mm	6003.0800	5707692009063
Strainer	800	D: 110 mm	6005.0000	5707692009087
Height-adjustable supports, set of 4			6006.0000	5707692009315
Rubber profil - set of 11	800	775 mm	6002.0801	5707692009056

## THE PERFECT CHOICE

- Stylish Danish design
- Minimises dirt in the home
- Easy to clean
- Connects directly to drain
- Flexible system, where the height can be adjusted depending on the thickness of the floor tiles
- UV and chemical resistant nylon brushes that can withstand many years of normal use



